

"Teak"

GLAZED FIBERGLASS DOUBLE DOOR

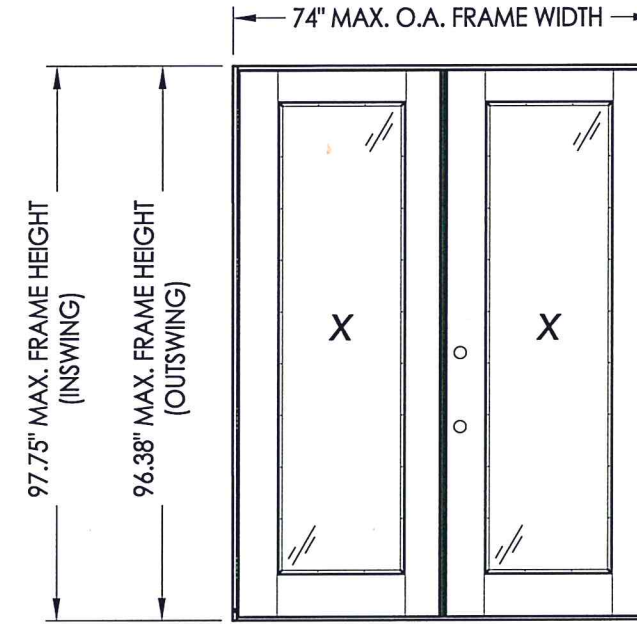
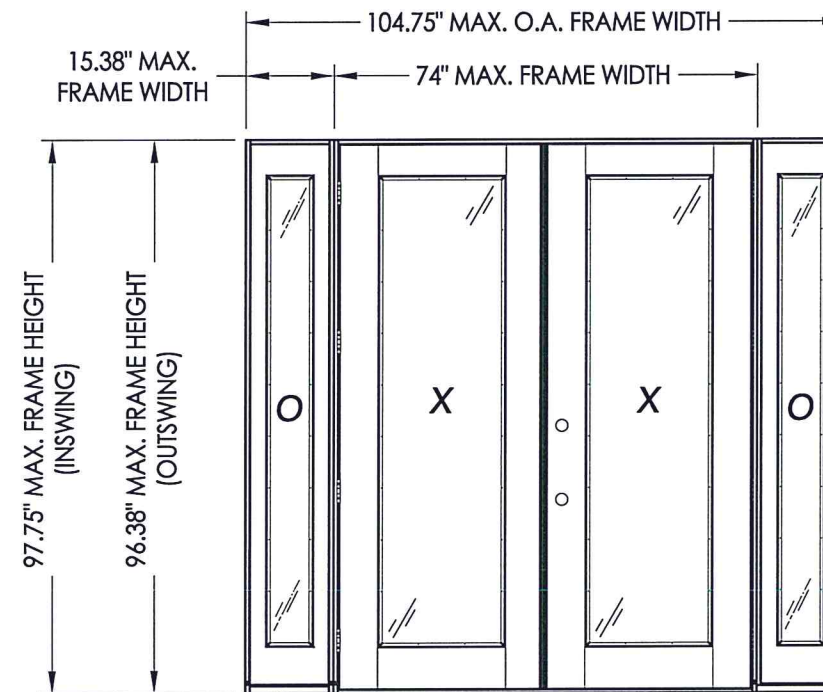
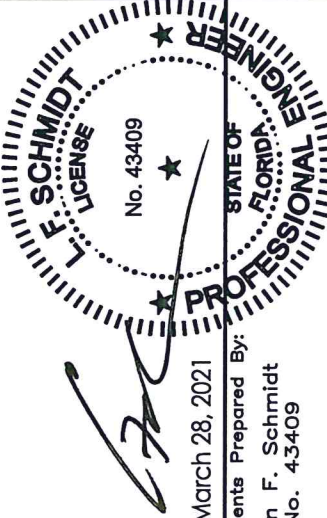
w/ or w/out SIDELITE(S)
"NON-IMPACT"
IN SWING / OUT SWING

GENERAL NOTES

1. This product has been evaluated and is in compliance with the 7th Edition (2020) Florida Building Code (FBC) structural requirements excluding the "High Velocity Hurricane Zone" (HVHZ).
2. Product anchors shall be as listed and spaced as shown on details. Anchor embedment to base material shall be beyond wall dressing or stucco.
3. When used in areas requiring wind borne debris protection, this product is required to be protected with an impact resistant covering that complies with FBC Sections 1609.1.2 & R301.2.1.2.
4. For 2x stud framing construction, anchoring of these units shall be the same as that shown for 2x buck masonry construction.
5. Site conditions that deviate from the details of this drawing require further engineering analysis by a licensed engineer or registered architect.

TABLE OF CONTENTS	
SHEET#	DESCRIPTION
1	Typical elevations, design pressures & general notes
2	Door panel details
3	Sidelite panel details
4	Elevations
5	Horizontal and vertical cross sections (2x buck)
6	Horizontal and vertical cross sections (1x buck)
7	Horizontal and vertical cross sections (Direct to Masonry)
8	Horizontal cross sections
9	Vertical cross sections
10	Buck anchoring
11	Frame anchoring
12	Components
13	Bill of materials

CONFIGURATION	FRAME MATERIAL	DESIGN PRESSURE (PSF) IN SWING		DESIGN PRESSURE (PSF) OUT SWING	
		POSITIVE	NEGATIVE	POSITIVE	NEGATIVE
XX, OXXO	FJ PINE	+45.0	-45.0	+40.0	-40.0
XX, OXXO	COMPOSITE	+45.0	-45.0	+40.0	-40.0

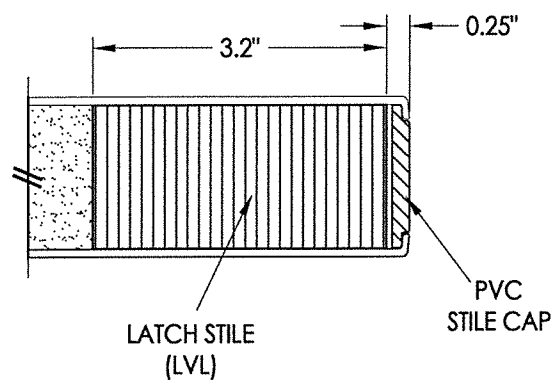
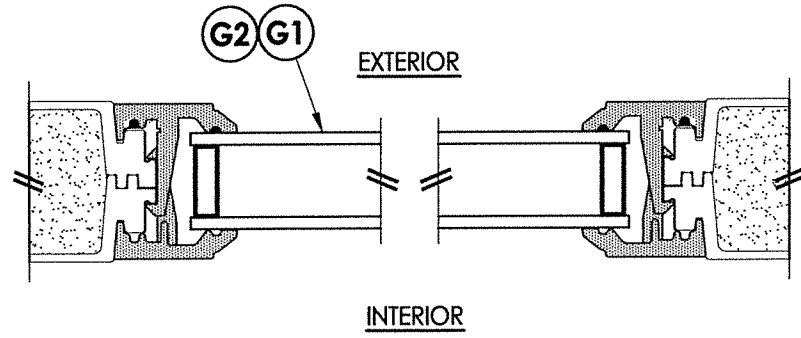
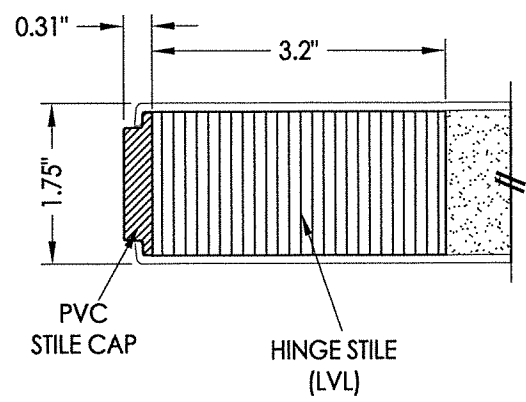
March 28, 2021
 Documents Prepared By:
 Lyndon F. Schmidt
 P.E. No. 4-3409

PROFESSIONAL ENGINEER
 STATE OF FLORIDA
 No. 43409

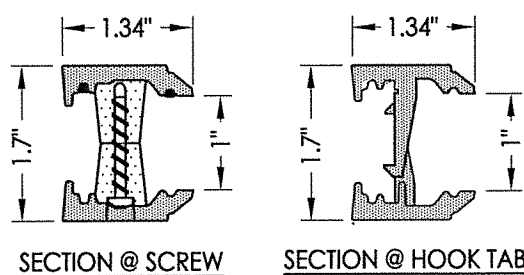
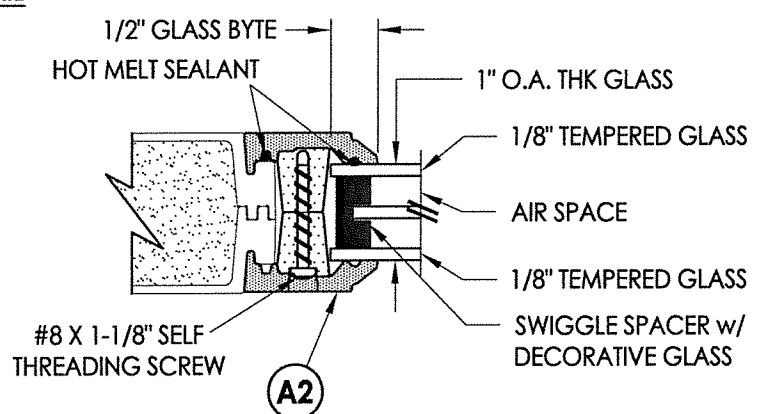
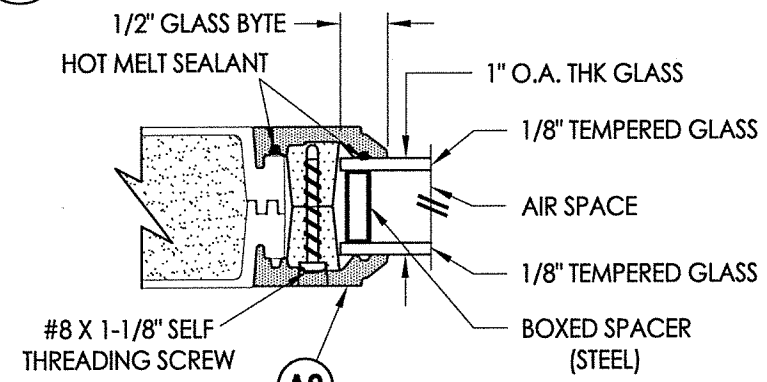
RW
 BUILDING CONSULTANTS, INC.
 P.O. Box 230, Valrico, FL 33595
 Phone No.: 813.659.9197
 FBPE Registry No. 9813

PRODUCT:	TRINITY GLASS INT'L
PART OR ASSEMBLY:	TYPICAL ELEVATION, DESIGN PRESSURES & GENERAL NOTES
DATE:	2/05/20
SCALE:	N.T.S.
DWG. BY:	TRJ
CHK. BY:	LFS
DRAWING NO.:	FL-25575.11
SHEET	1 OF 13

Z:\Clients\Trinity Glass PERMANENTA - Florida Product Approvals\FL - 25575\C. Drawings\FL 25575 (2020)\FL-25575.11-12.dwg

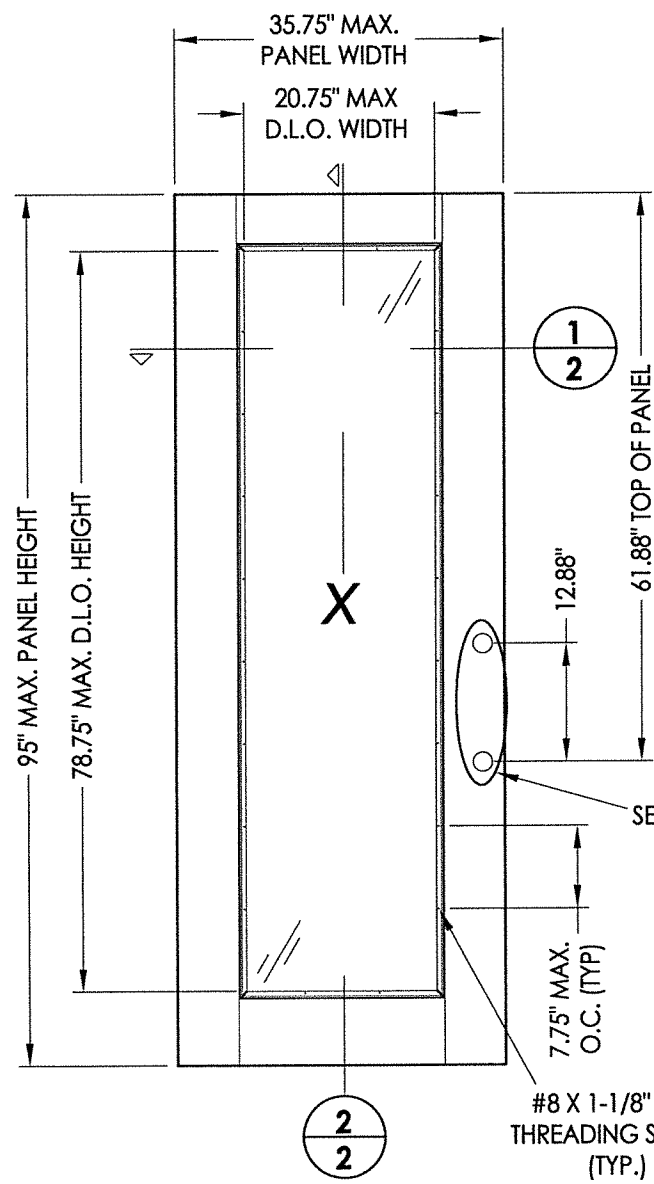


1
2 **HORIZONTAL CROSS SECTION**

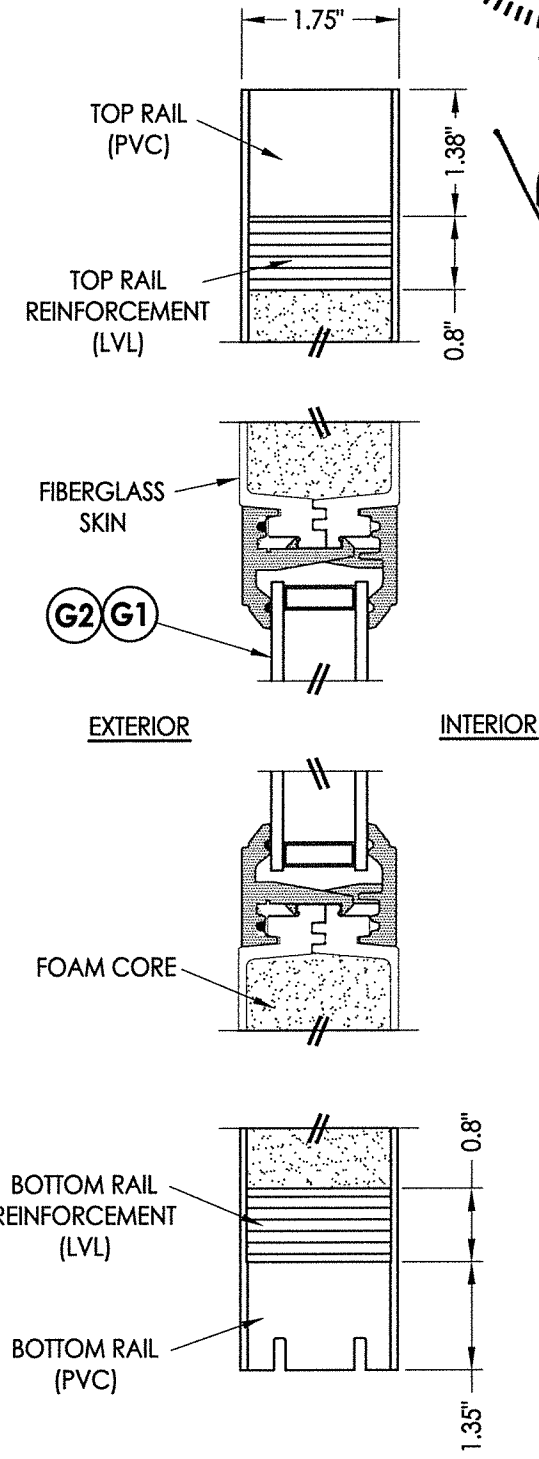


A2 **FLUSH GLAZING FRAME**
FIBERGLASS

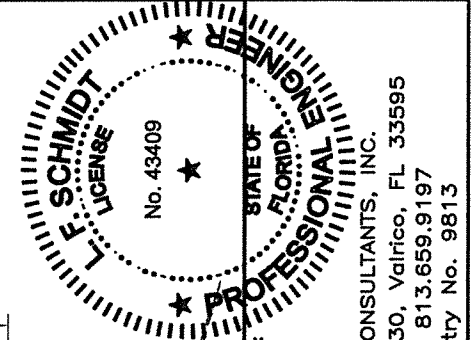
HARDWARE CHART	
MANUFACTURER	MODEL
KWIKSET	KNOB: SIGNATURE SERIES
	DEADBOLT: SIGNATURE SERIES (980)
SCHLAGE	KNOB: F SERIES
	DEADBOLT: B60 SERIES



40 **GLAZED DOOR PANEL**
TEAK



2
2 **VERTICAL CROSS SECTION**



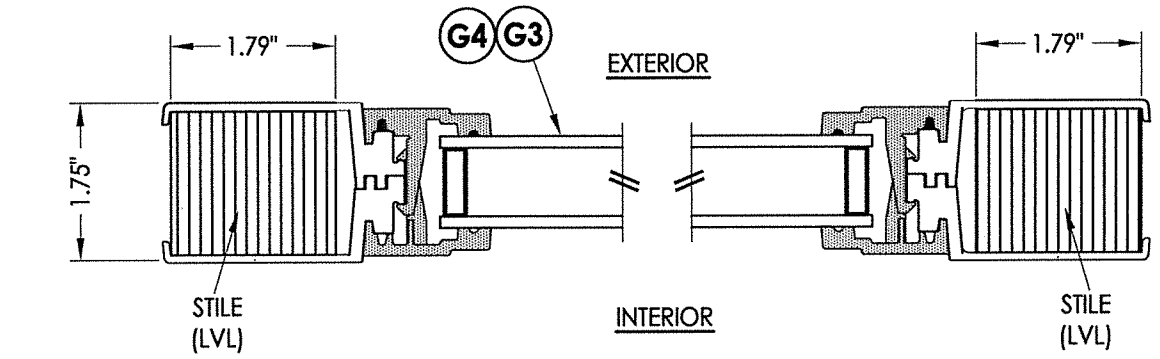
March 28, 2021
 Documents Prepared By:
 Lyndon F. Schmidt
 P.E. No. 43409
 R.W. BUILDING CONSULTANTS, INC.
 P.O. Box 230, Valrico, FL 33595
 Phone No.: 813.659.9197
 FBPE Registry No. 9813

PRODUCT:	TRINITY GLASS INT'L
PART OR ASSEMBLY:	DOOR PANEL DETAILS
NO.	DATE
BY	REVISIONS
1	8/11/20
UPDATE TO 7th ED. (2020) FBC & REVISE ENDURA ULT. ASTRAGAL	
DAC	BY

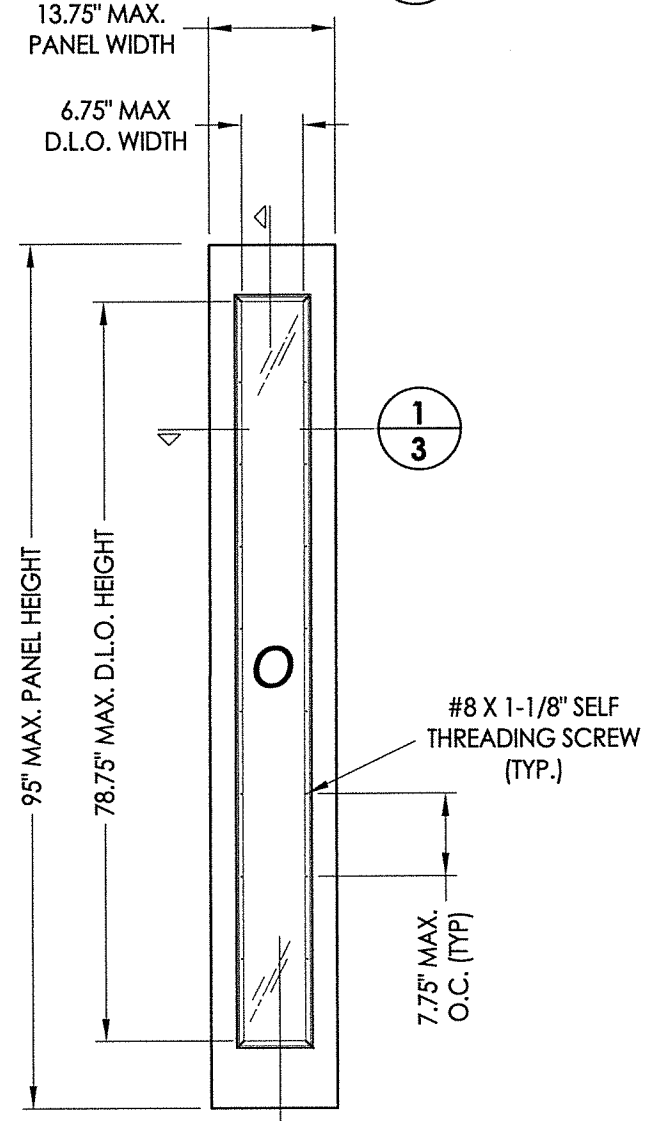
DATE: 2/05/20
 SCALE: N.T.S.
 DWG. BY: TRJ
 CHK. BY: LFS
 DRAWING NO.: FL-25575.11
 SHEET 2 OF 13

© 2020 R.W. BUILDING CONSULTANTS INC.

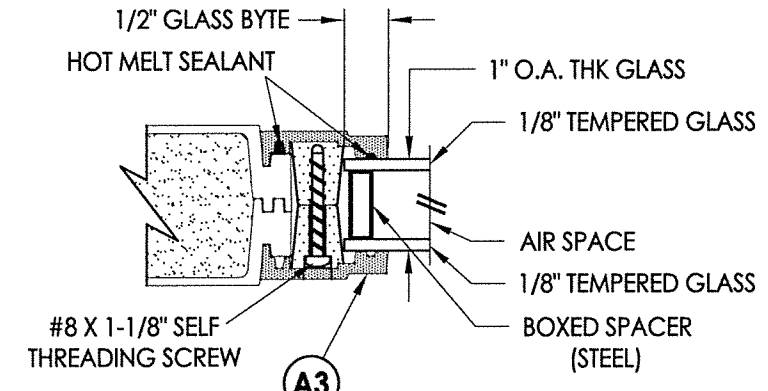
Z:\Clients\Trinity Glass PERMANENTVA - Florida Product Approvals\FL - 25575\C. Drawings\FL 25575 (2020)\FL-25575.11-12.dwg



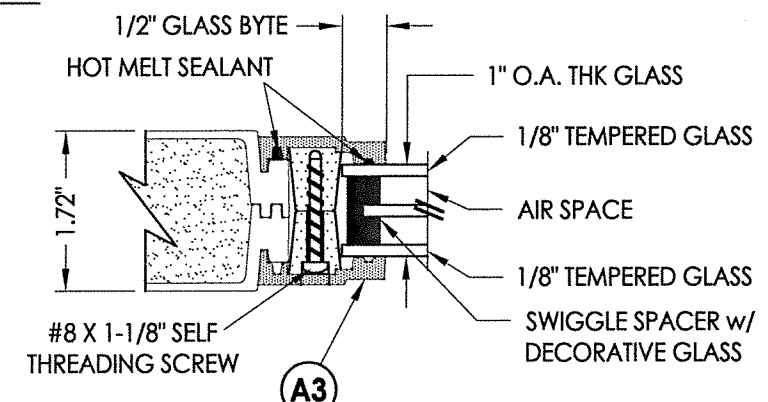
1
3 HORIZONTAL CROSS SECTION



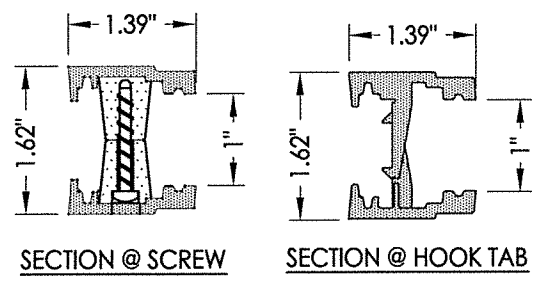
50 SIDELITE PANEL
TEAK



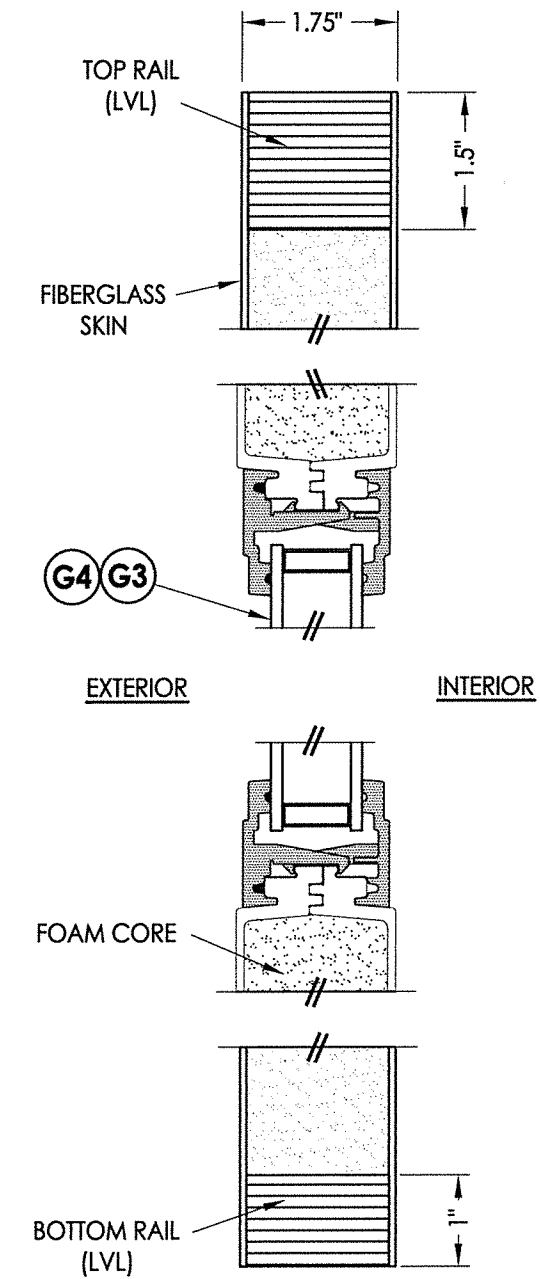
A3 FLUSH GLAZING FRAME
FIBERGLASS



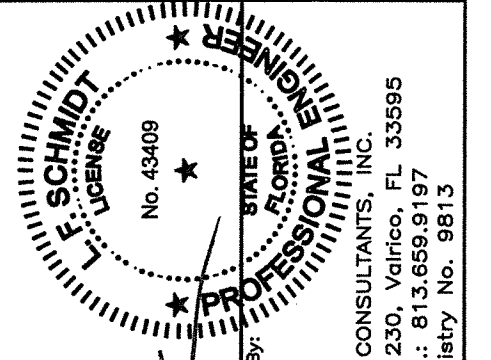
G4 GLAZING DETAIL
DECORATIVE GLASS



A3 FLUSH GLAZING FRAME
FIBERGLASS



2
3 VERTICAL CROSS SECTION

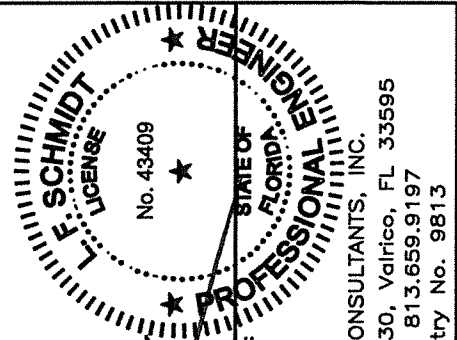
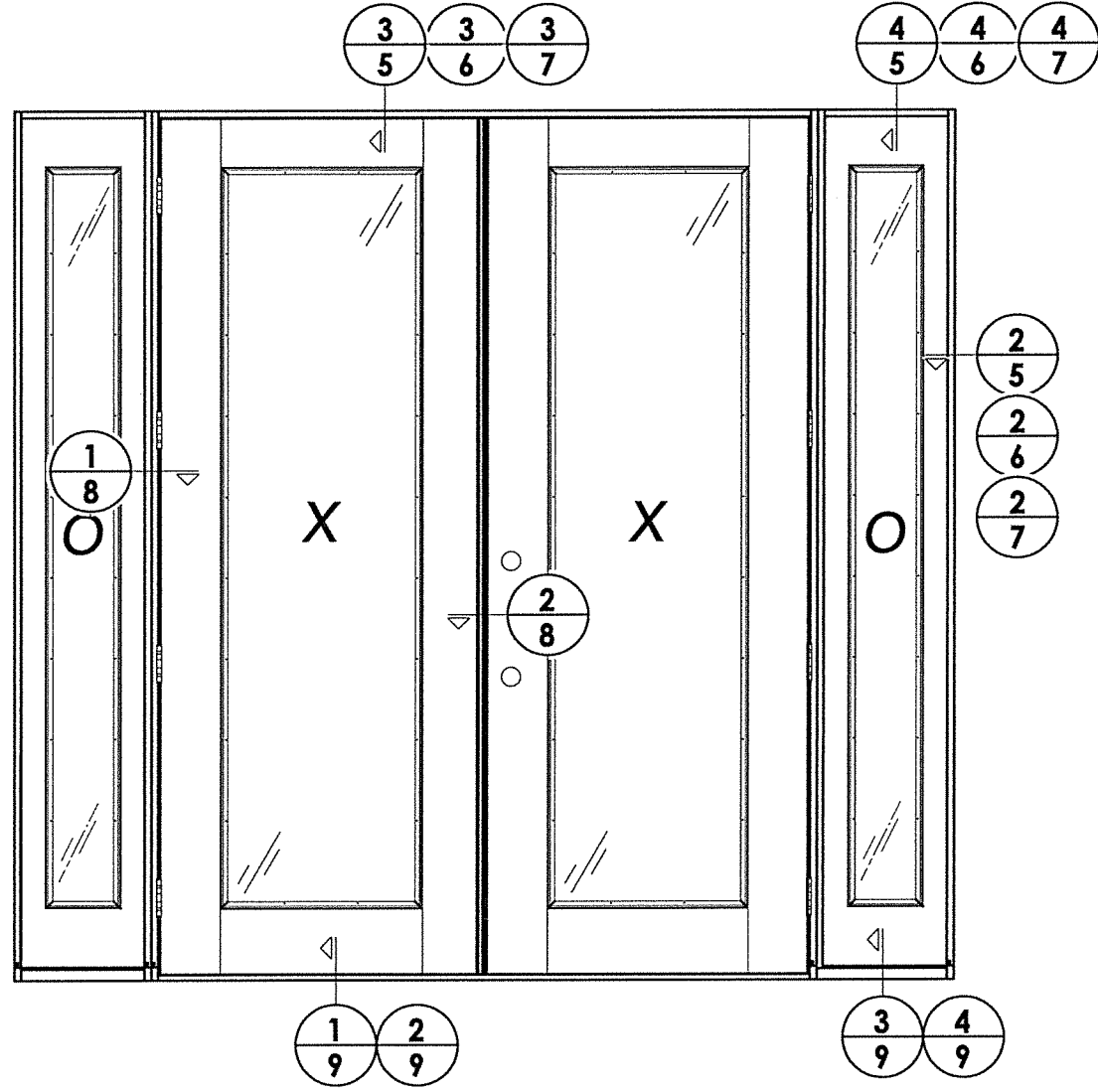
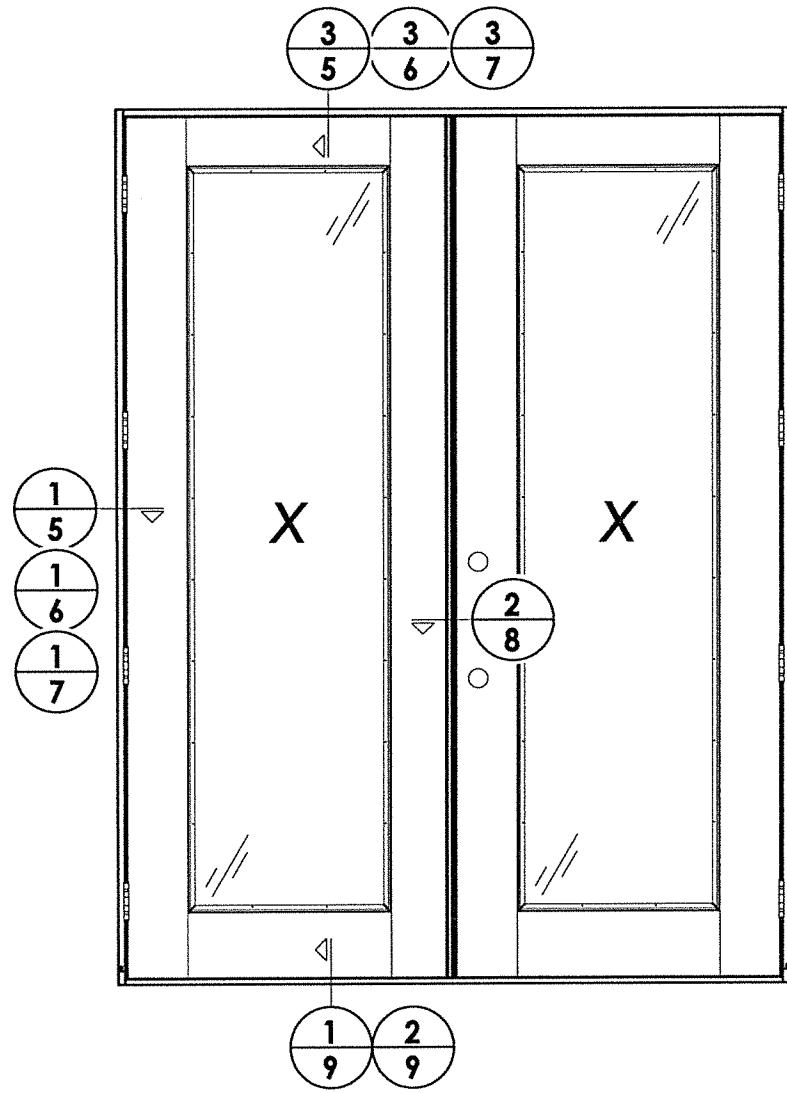


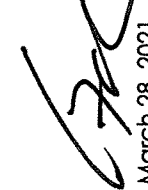
March 28, 2021
 Documents Prepared By:
 Lyndon F. Schmidt
 P.E. No. 43409
 R.W. BUILDING CONSULTANTS, INC.
 P.O. Box 230, Vairico, FL 33595
 Phone No.: 813.659.9197
 FBPE Registry No. 9813

PRODUCT:	TRINITY GLASS INT'L		
PART OR ASSEMBLY:	SIDELITE PANEL DETAILS		
DATE:	2/05/20		
SCALE:	N.T.S.		
DWG. BY:	TRJ		
CHK. BY:	LFS		
DRAWING NO.:	FL-25575.11		
SHEET	3 of 13		
NO.	DATE	BY	REVISIONS
1	8/11/20		UPDATE TO 7th ED. (2020) FBC & REVISE ENDURA ULT. ASTRAGAL

DOOR SKIN: 0.079" MIN. THK. FIBERGLASS
 CORE MATERIAL: POLYURETHANE FOAM

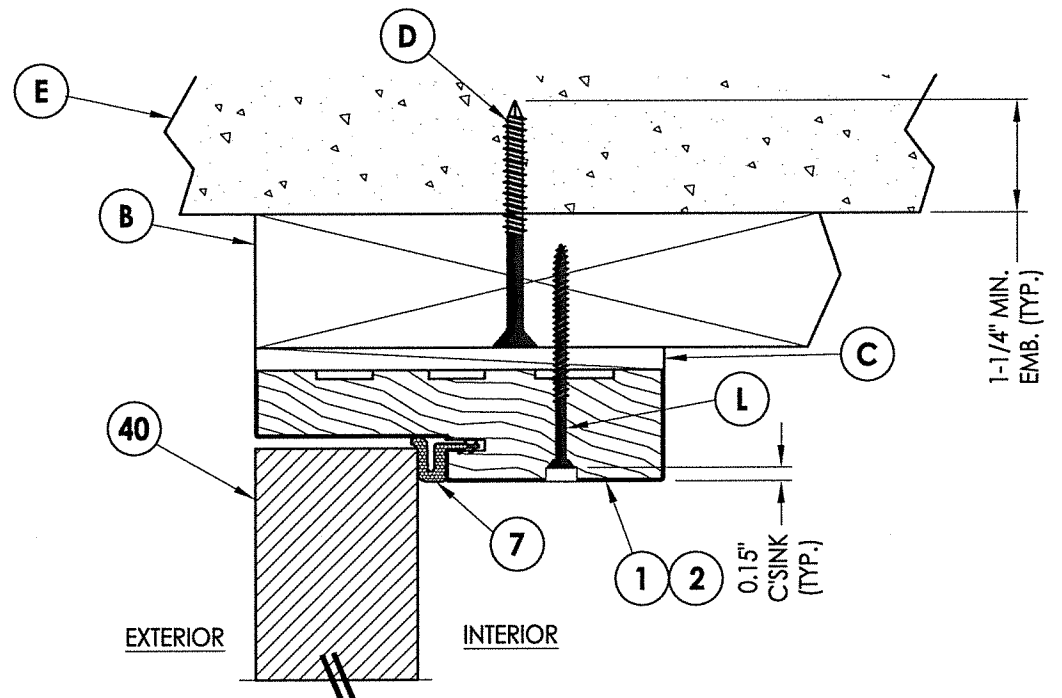
© 2020 R.W. BUILDING CONSULTANTS INC.



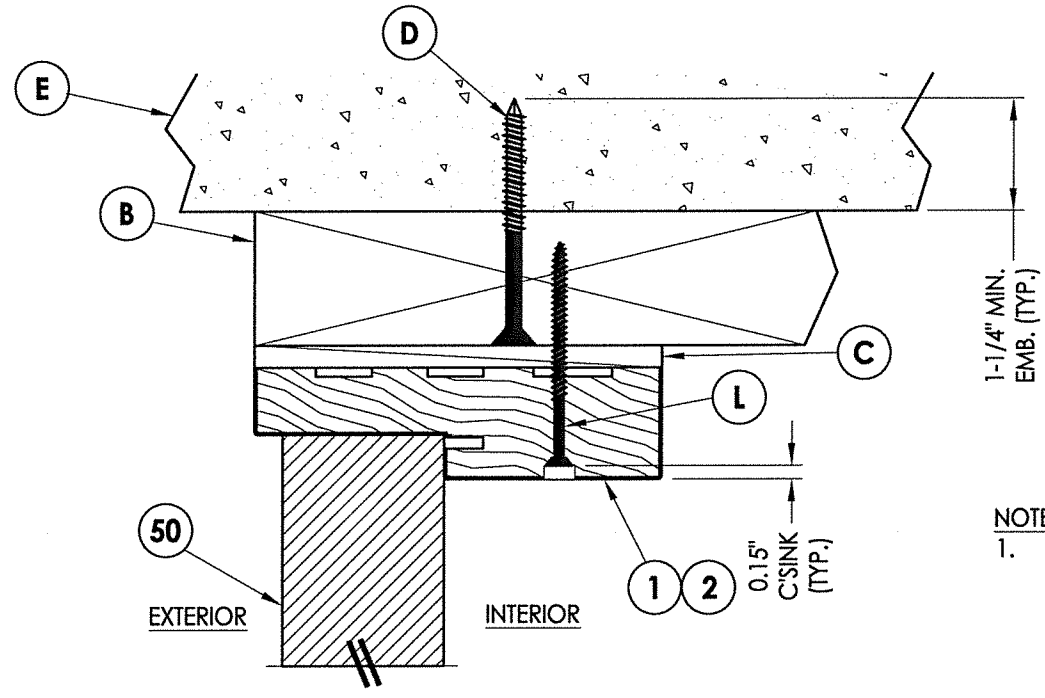

 March 28, 2021
 Documents Prepared By:
 Lyndon F. Schmidt
 P.E. No. 43409
 BUILDING CONSULTANTS, INC.
 P.O. Box 230, Valrico, FL 33595
 Phone No.: 813.659.9197
 FBPE Registry No. 9813

PRODUCT:		TRINITY GLASS INT'L	
PART OR ASSEMBLY:		ELEVATIONS	
NO.	DATE	BY	REVISIONS
1	8/11/20	FBC	UPDATE TO 7th ED. (2020) FBC
		ASTRAGAL	& REVISE ENDURA ULT. ASTRAGAL

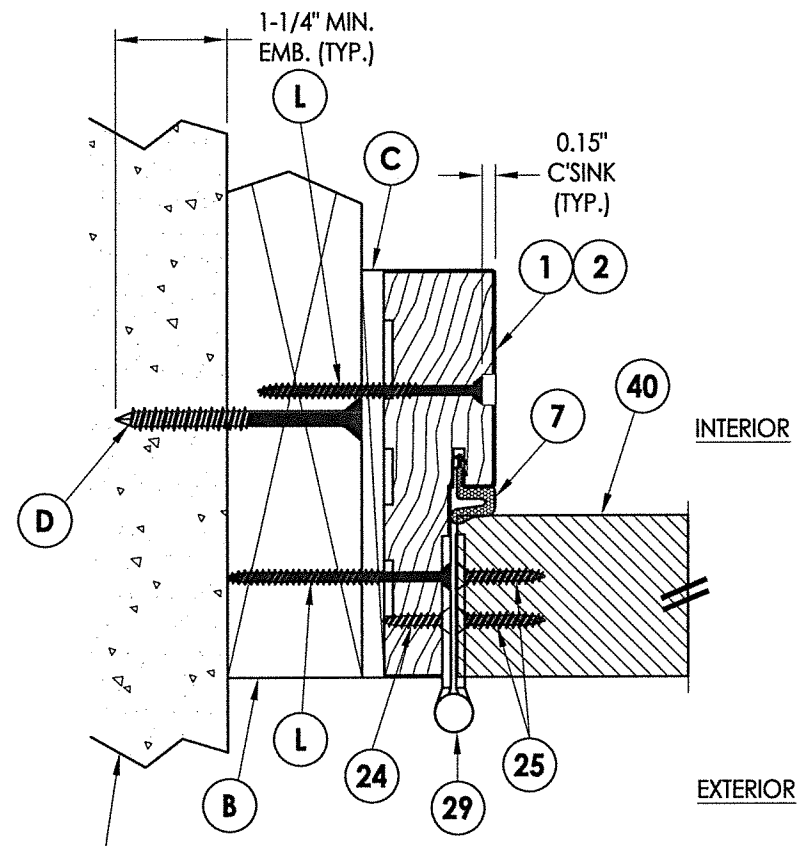
DATE: 2/05/20
 SCALE: N.T.S.
 DWG. BY: TRJ
 CHK. BY: LFS
 DRAWING NO.: FL-25575.11
 SHEET 4 OF 13



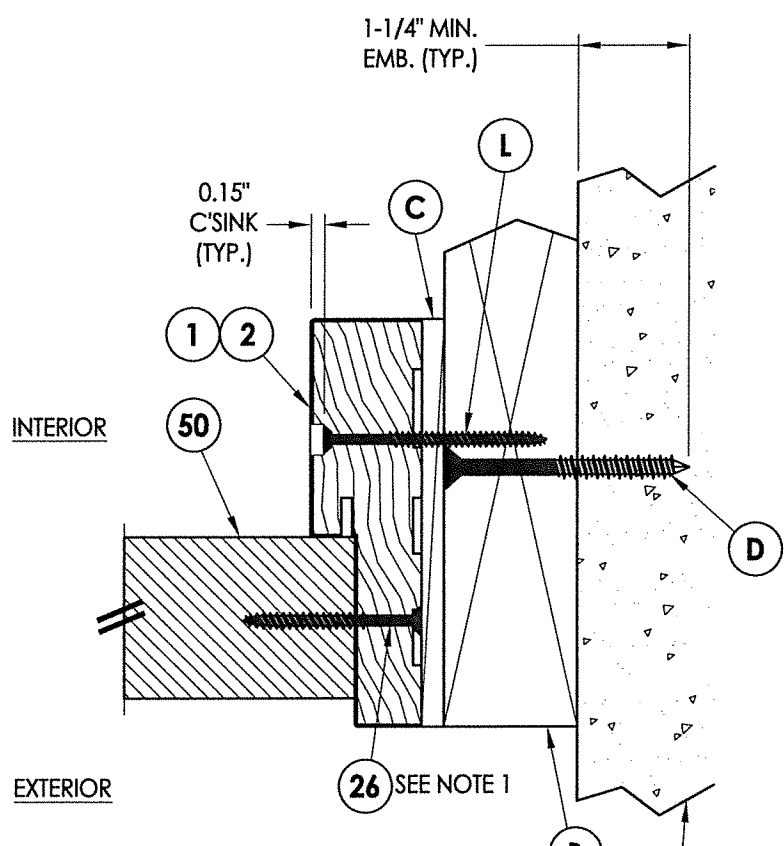
3 VERTICAL CROSS SECTION
5 Outswing shown - Inswing also approved



4 VERTICAL CROSS SECTION
5 Outswing shown - Inswing also approved

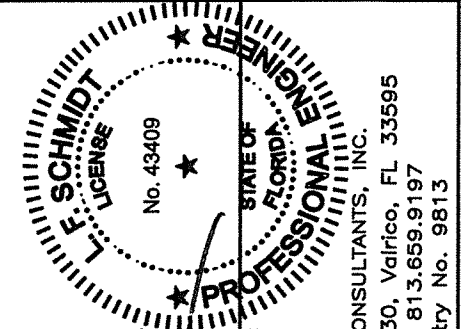


1 HORIZONTAL CROSS SECTION
5 Outswing shown - Inswing also approved



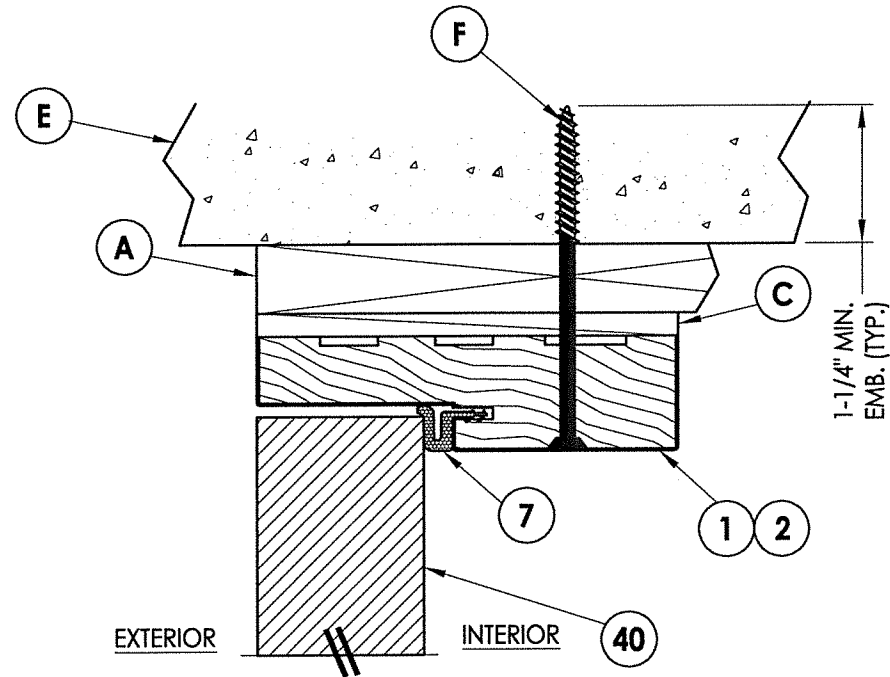
2 HORIZONTAL CROSS SECTION
5 Outswing shown - Inswing also approved

NOTE:
 1. Item #26 located 6" from each end plus 2 more equally spaced (4 total).

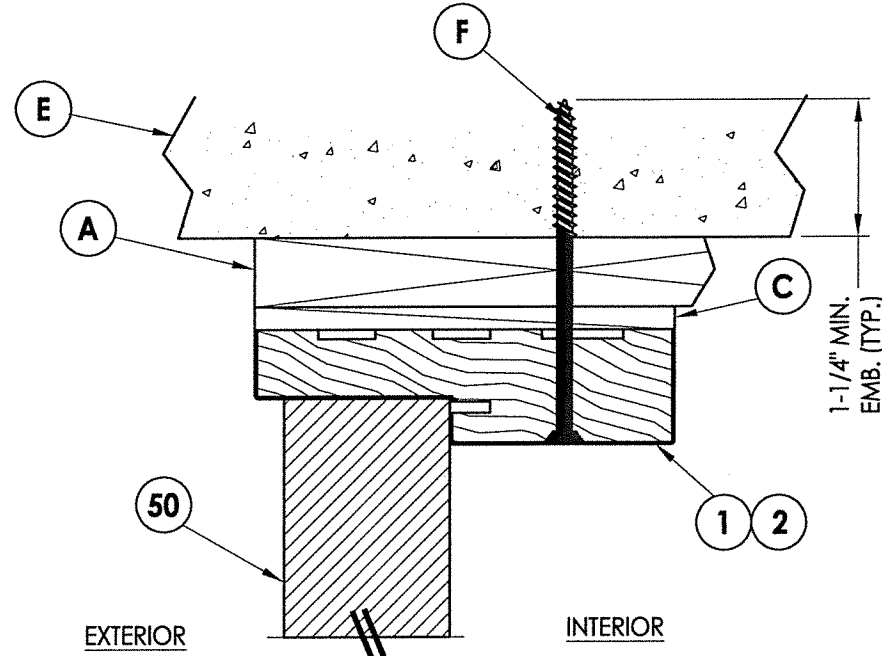


March 28, 2021
 Documents Prepared By:
 Lyndon F. Schmidt
 P.E. No. 43409
 R.W. BUILDING CONSULTANTS, INC.
 P.O. Box 230, Valrico, FL 33595
 Phone No.: 813.659.9197
 FBPE Registry No. 9813

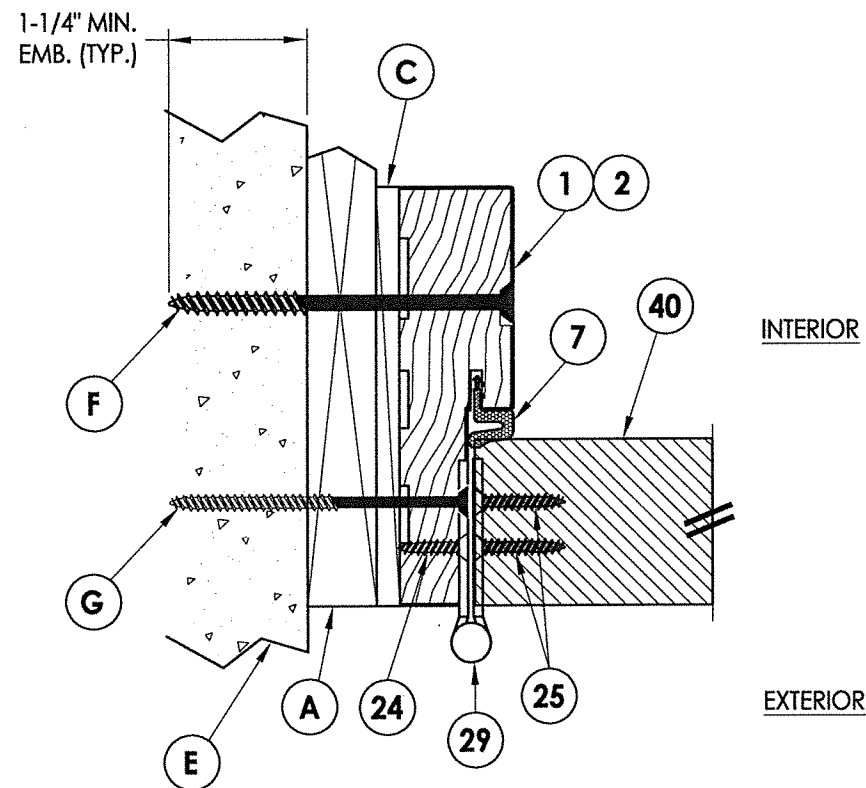
PRODUCT: TRINITY GLASS INT'L	
PART OR ASSEMBLY: HORIZONTAL AND VERTICAL CROSS SECTIONS (2X BUCK)	
NO.	DATE
1	8/11/20
UPDATE TO 7th ED. (2020) FBC & REVISE ENDURA ULT. ASTRAGAL	
DAC	BY
REVISIONS	
DATE: 2/05/20	
SCALE: N.T.S.	
DWG. BY: TRJ	
CHK. BY: LFS	
DRAWING NO.: FL-25575.11	
SHEET 5 OF 13	



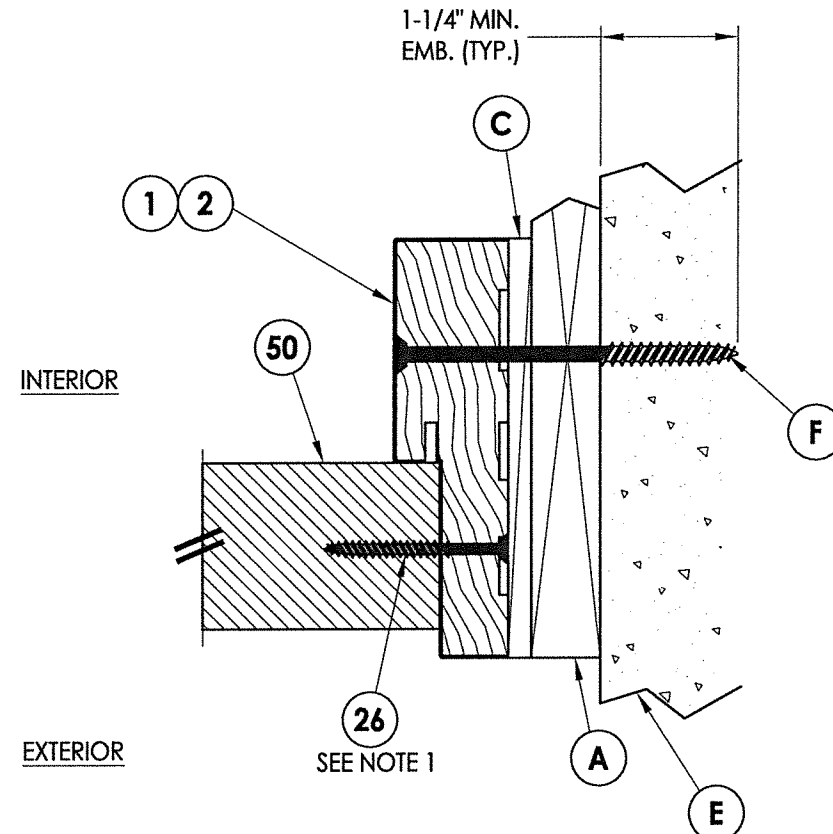
3 VERTICAL CROSS SECTION
6 Outswing shown - Inswing also approved



4 VERTICAL CROSS SECTION
6 Outswing shown - Inswing also approved

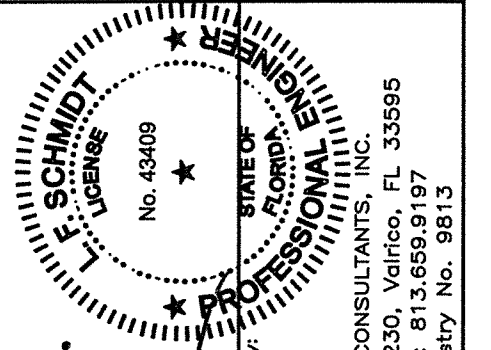


1 HORIZONTAL CROSS SECTION
6 Outswing shown - Inswing also approved



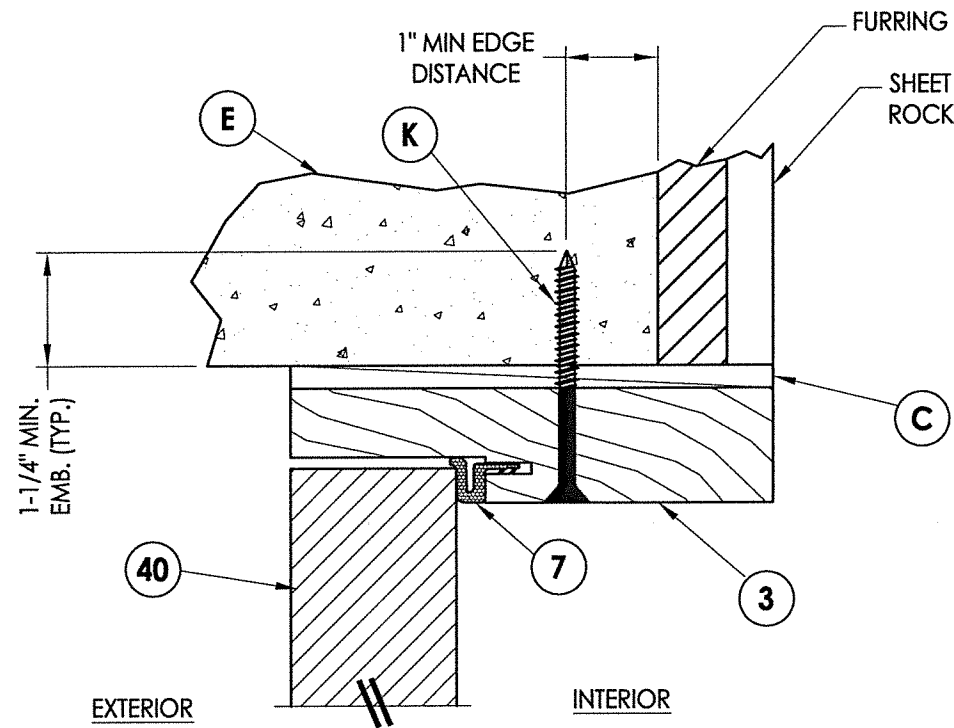
2 HORIZONTAL CROSS SECTION
6 Outswing shown - Inswing also approved

NOTE:
 1. Item #26 located 6" from each end plus 2 more equally spaced (4 total).



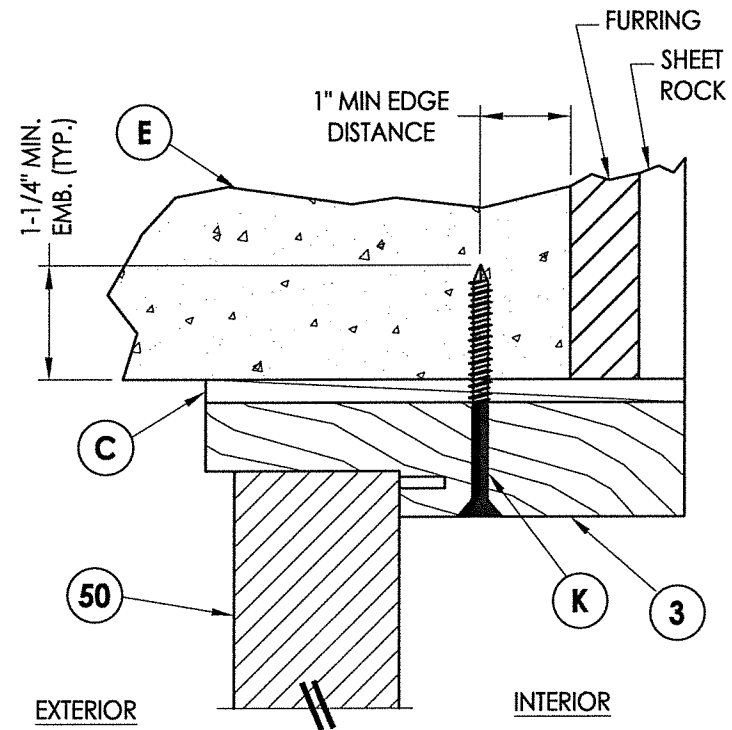
March 28, 2021
 Documents Prepared By:
 Lyndon F. Schmidt
 P.E. No. 43409
 R.W.
 BUILDING CONSULTANTS, INC.
 P.O. Box 230, Valrico, FL 33595
 Phone No.: 813.659.9197
 FBPE Registry No. 9813

PRODUCT:	TRINITY GLASS INT'L	
PART OR ASSEMBLY:	HORIZONTAL AND VERTICAL CROSS SECTIONS (1X BUCK)	
NO.	DATE	BY
1	8/11/20	DAC
UPDATE TO 7th ED. (2020) FBC & REVISE ENDURA ULT. ASTRAGAL		
REVISIONS		
DATE:	2/05/20	
SCALE:	N.T.S.	
DWG. BY:	TRJ	
CHK. BY:	LFS	
DRAWING NO.:	FL-25575.11	
SHEET	6	OF 13

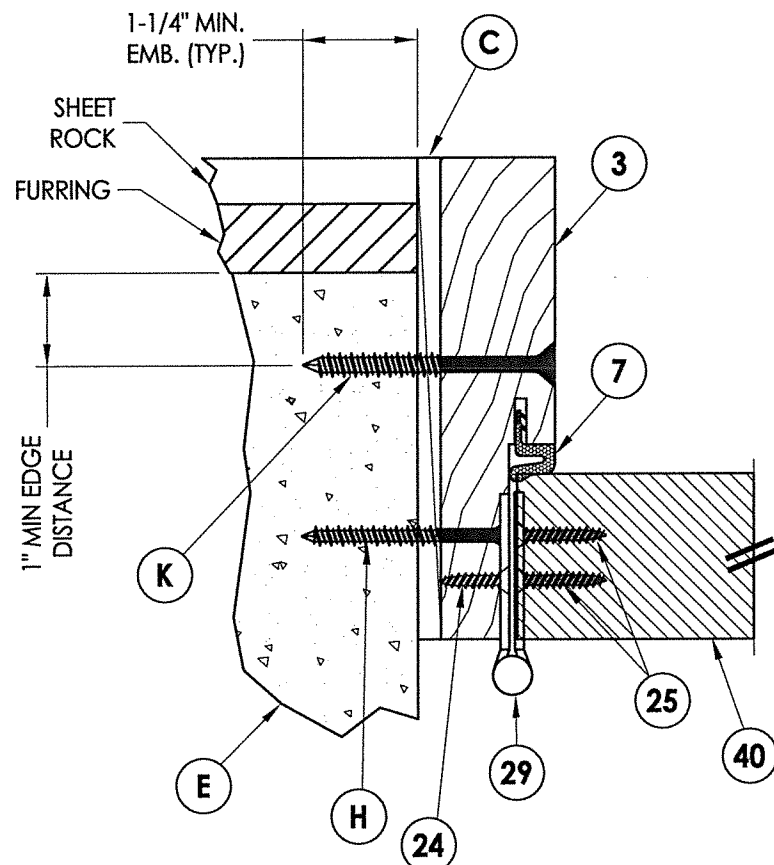


3 VERTICAL CROSS SECTION
7 Outswing only

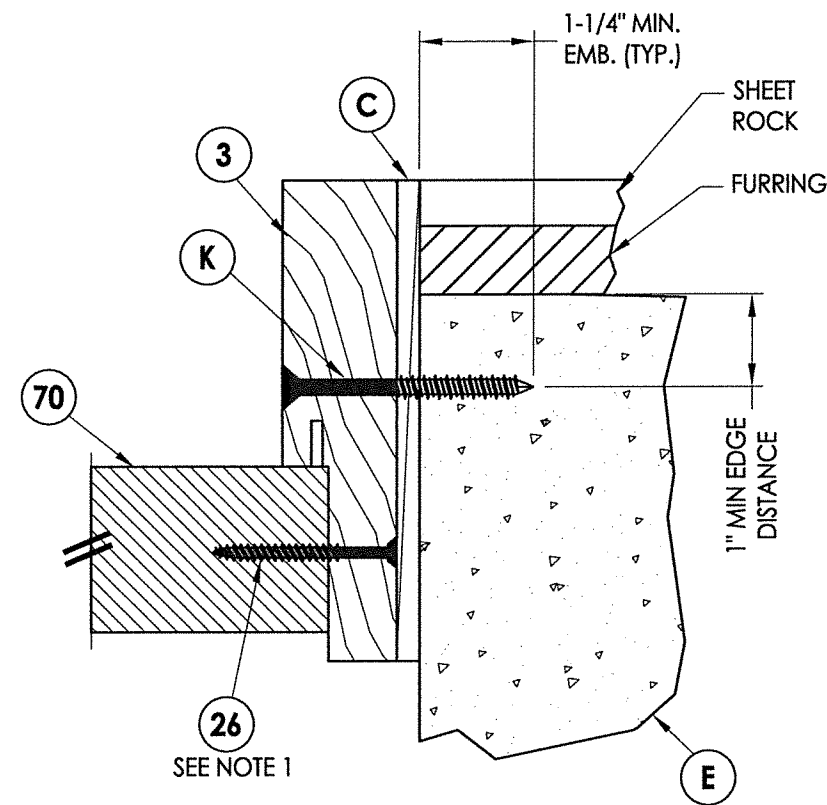
NOTE:
1. Item #26 located 6" from each end plus 2 more equally spaced (4 total).



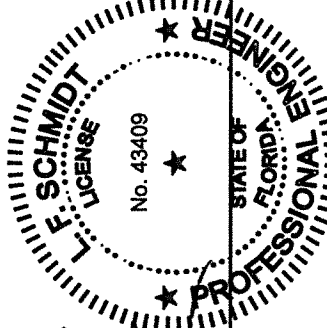
4 VERTICAL CROSS SECTION
7 Outswing only



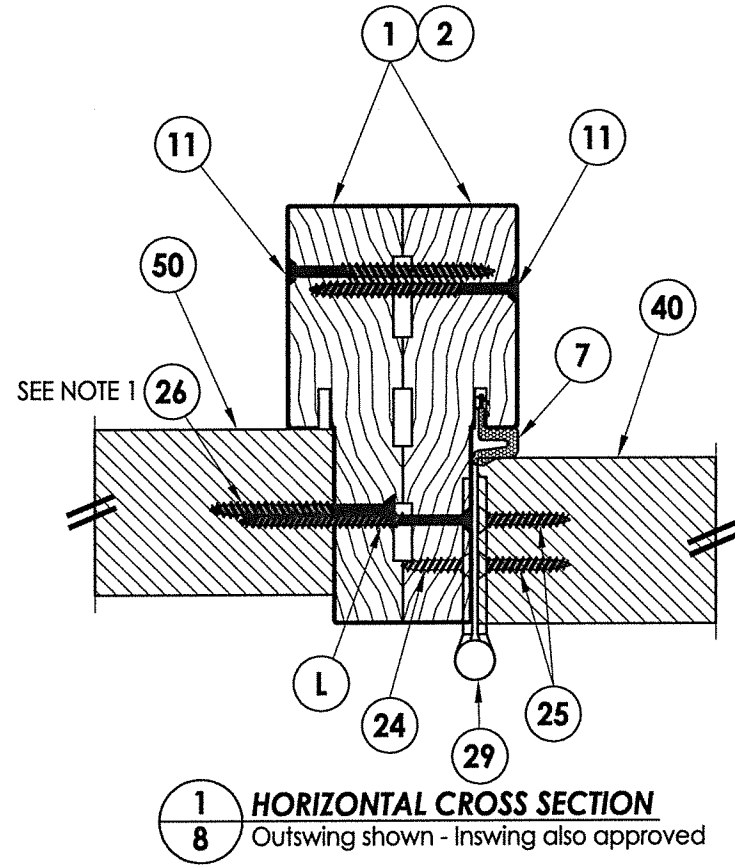
1 HORIZONTAL CROSS SECTION
7 Outswing only



2 HORIZONTAL CROSS SECTION
7 Outswing only


 Documents Prepared By:
 Lyndon F. Schmidt
 P.E. No. 43409
 March 28, 2021
 R.W. BUILDING CONSULTANTS, INC.
 P.O. Box 230, Valrico, FL 33595
 Phone No.: 813.659.9197
 FBPE Registry No. 9813

PRODUCT: TRINITY GLASS INT'L	
PART OR ASSEMBLY: HORIZONTAL AND VERTICAL CROSS SECTIONS (DIRECT TO MASONRY)	
NO.	DATE
1	8/11/20
UPDATE TO 7th ED. (2020) FBC & REVISE ENDURA ULT. ASTRAGAL	
DAC	BY
DATE	REVISIONS
DATE: 2/05/20	
SCALE: N.T.S.	
DWG. BY: TRJ	
CHK. BY: LFS	
DRAWING NO.: FL-25575.11	
SHEET 7 OF 13	

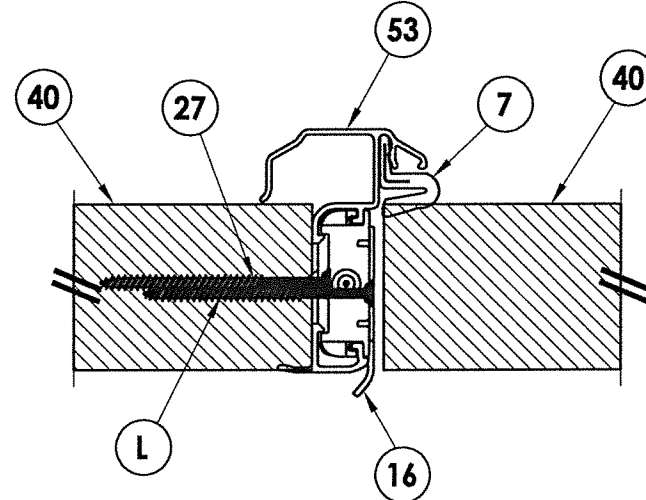


1 HORIZONTAL CROSS SECTION
8 Outswing shown - Inswing also approved

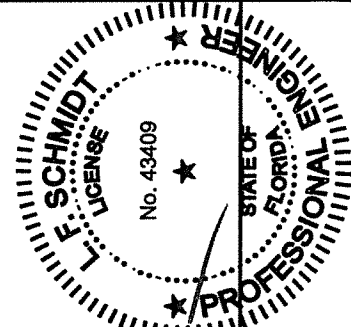
NOTE:
 1. Item #26 located 6" from each end plus 2 more equally spaced (4 total).

INTERIOR

EXTERIOR



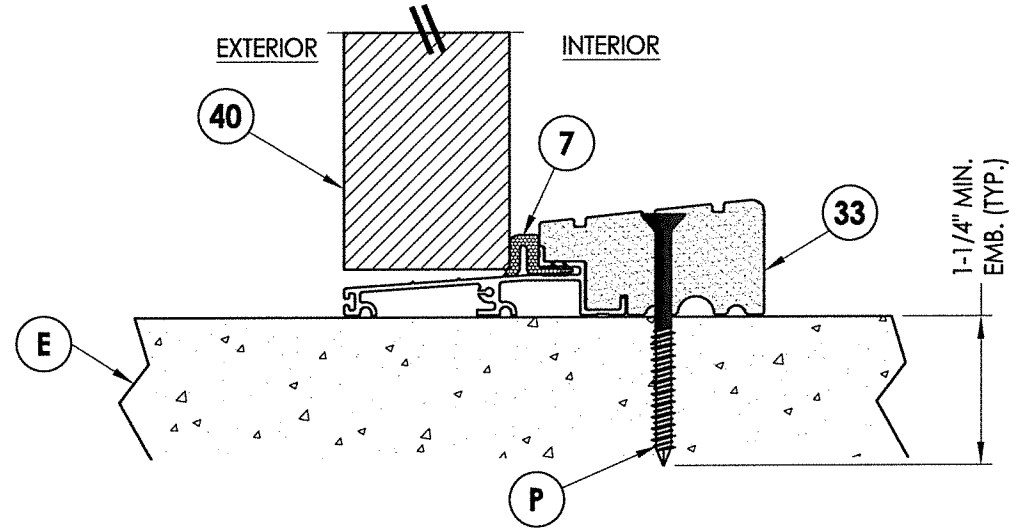
2 HORIZONTAL CROSS SECTION
8 Outswing shown - Inswing also approved



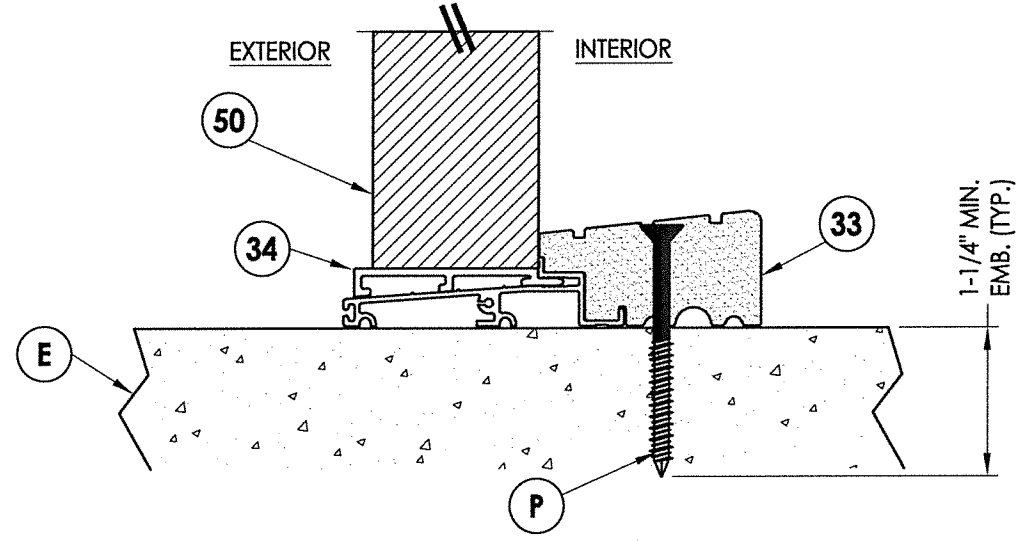
March 28, 2021
 Documents Prepared By:
 Lyndon F. Schmidt
 P.E. No. 43409

R.W. BUILDING CONSULTANTS, INC.
 P.O. Box 230, Valrico, FL 33595
 Phone No.: 813.659.9197
 FBPE Registry No. 9813

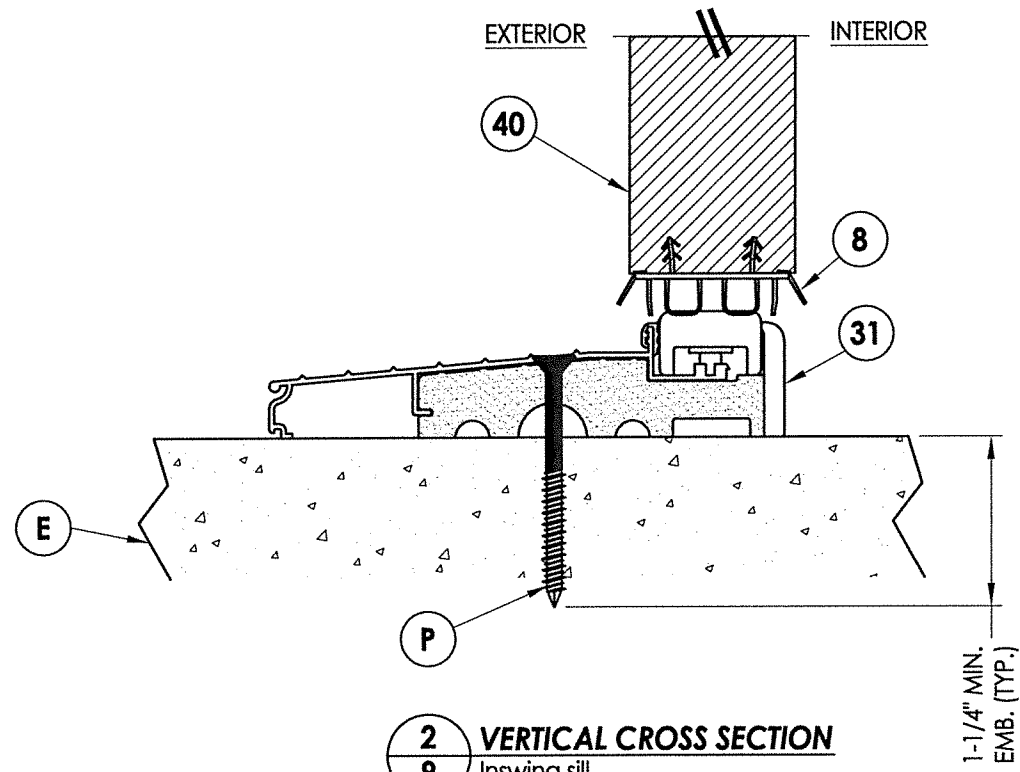
PRODUCT:		TRINITY GLASS INT'L	
PART OR ASSEMBLY:		HORIZONTAL CROSS SECTIONS	
NO.	DATE	BY	REVISIONS
1	8/11/20	DAC	UPDATE TO 7th ED. (2020) FBC & REVISE ENDURA ULT. ASTRAGAL
DATE: 2/05/20		SCALE: N.T.S.	
DWG. BY: TRJ		CHK. BY: LFS	
DRAWING NO.: FL-25575.11		SHEET 8 OF 13	



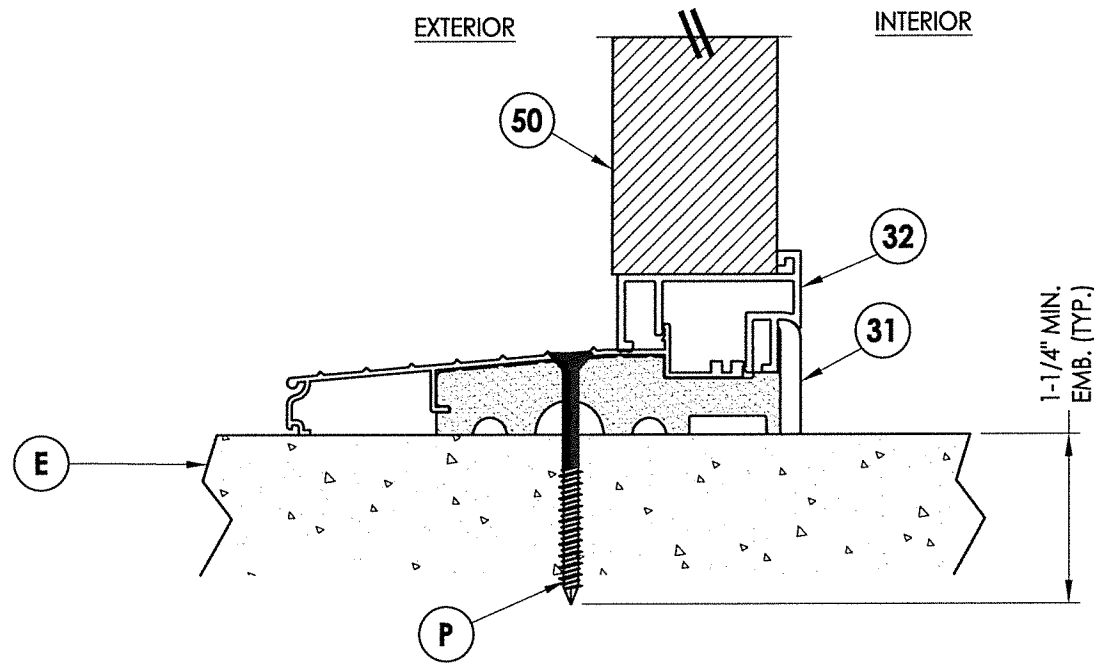
1 VERTICAL CROSS SECTION
9 Outswing sill - high dam



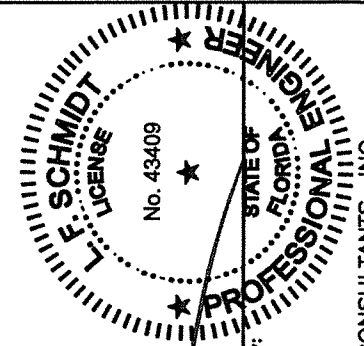
3 VERTICAL CROSS SECTION
9 Outswing sill - high dam



2 VERTICAL CROSS SECTION
9 Inswing sill



4 VERTICAL CROSS SECTION
9 Inswing sill

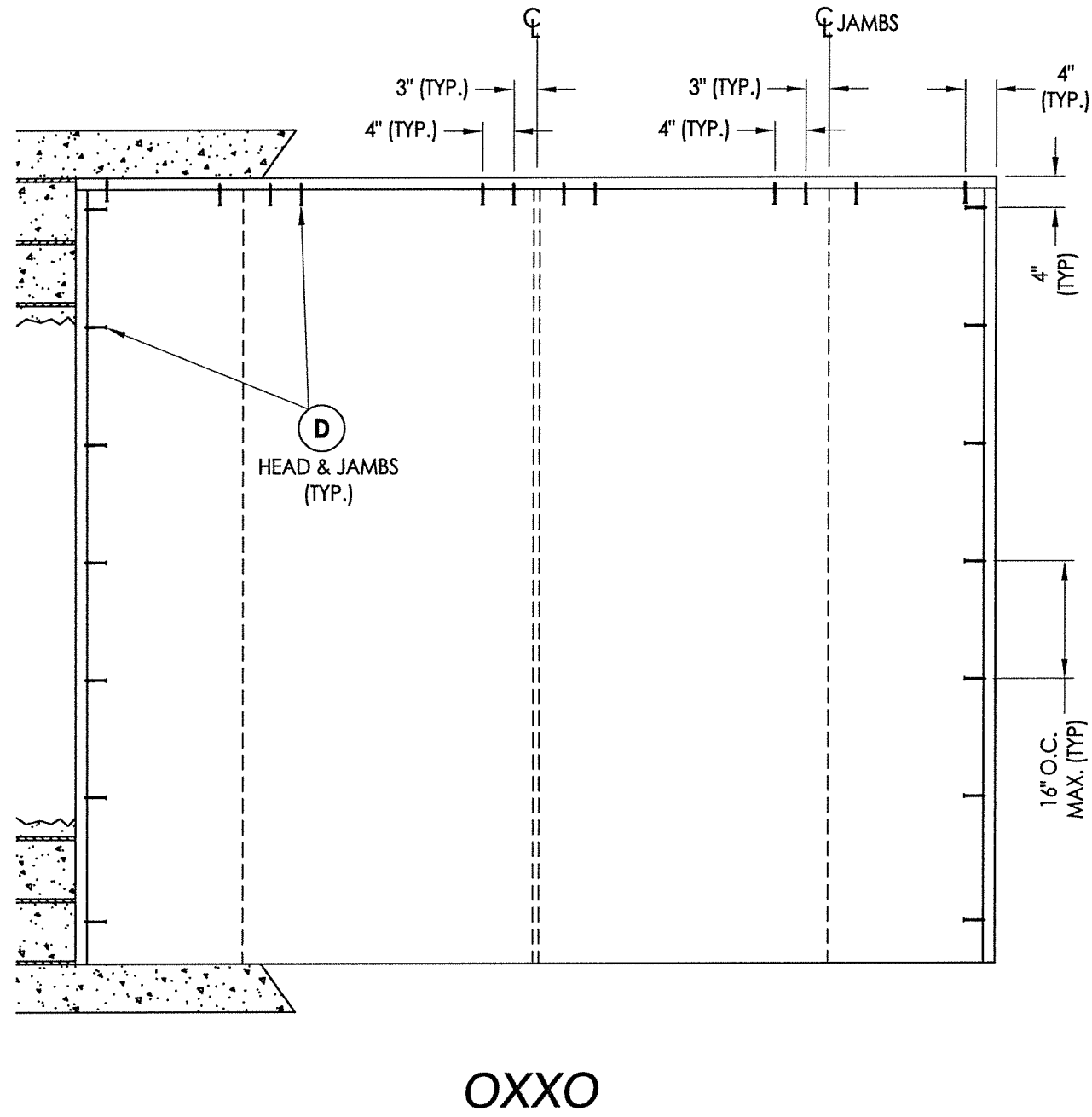
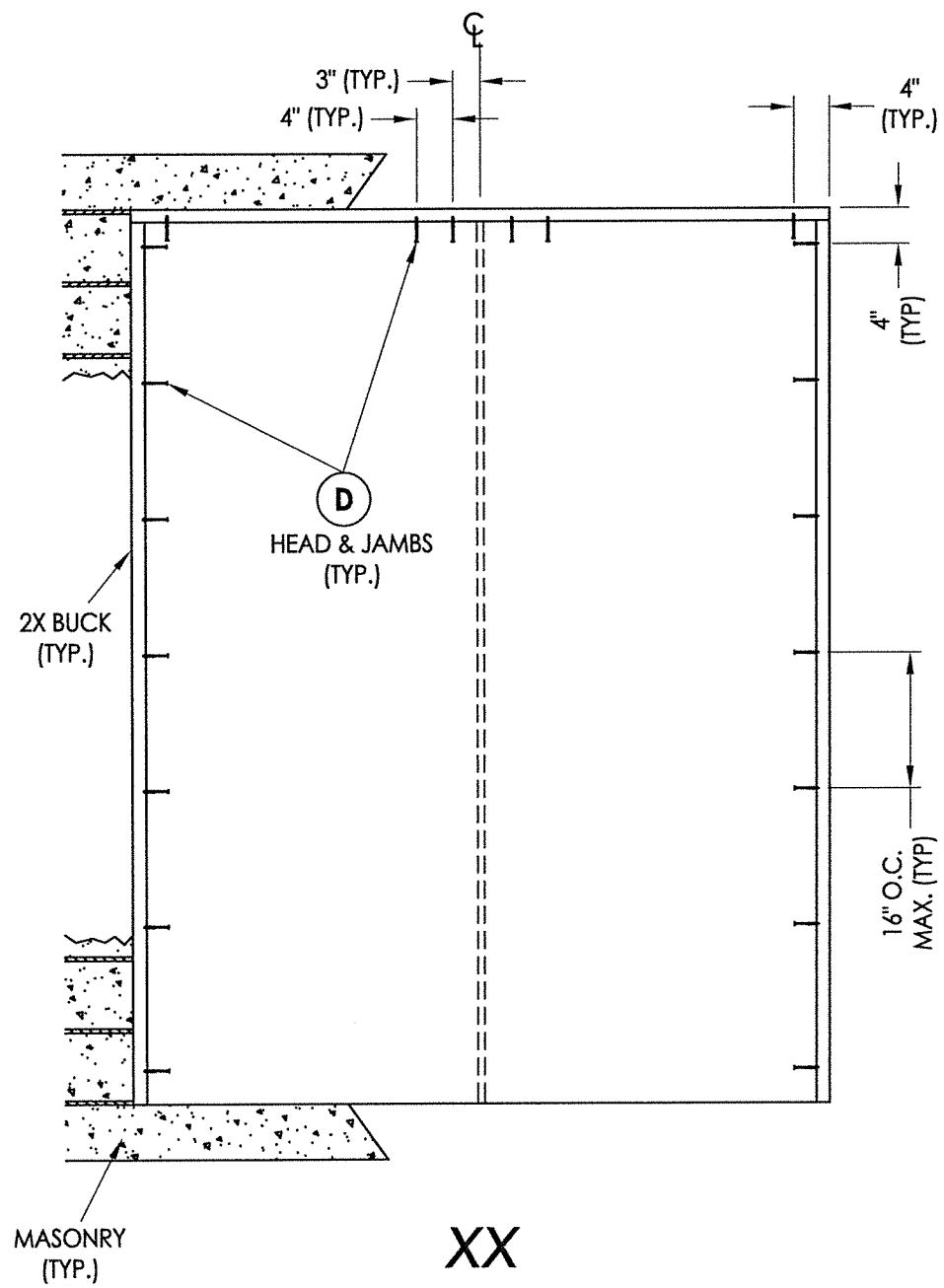


[Signature]

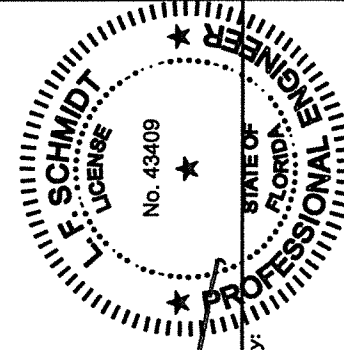
March 28, 2021
Documents Prepared By:
Lyndon F. Schmidt
P.E. No. 4-3409

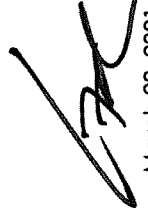
R.W. BUILDING CONSULTANTS, INC.
P.O. Box 230, Valrico, FL 33595
Phone No.: 813.659.9197
FBPE Registry No. 9813

PRODUCT:		TRINITY GLASS INT'L	
PART OR ASSEMBLY:		VERTICAL CROSS SECTIONS	
NO.	DATE	BY	REVISIONS
1	8/11/20	DAC	UPDATE TO 7th ED. (2020) FBC & REVISE ENDURA ULT. ASTRAGAL
DATE: 2/05/20			
SCALE: N.T.S.			
DWG. BY: TRJ			
CHK. BY: LFS			
DRAWING NO.: FL-25575.11			
SHEET 9 of 13			



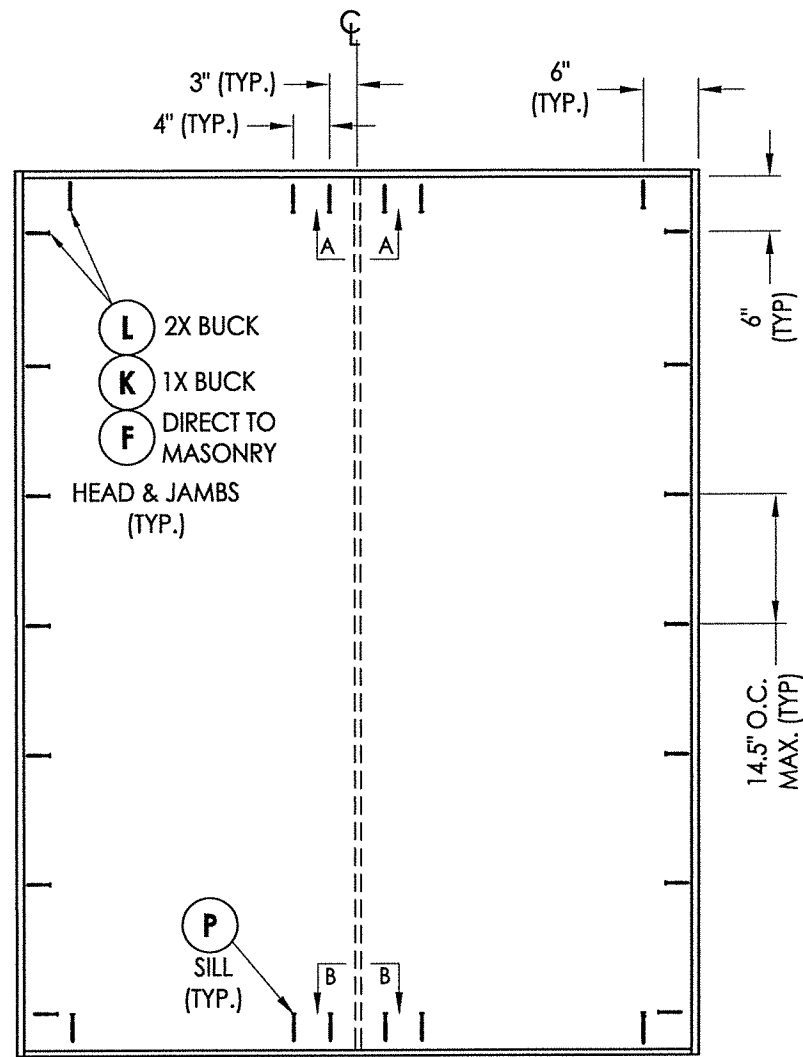
2X BUCK ANCHORING



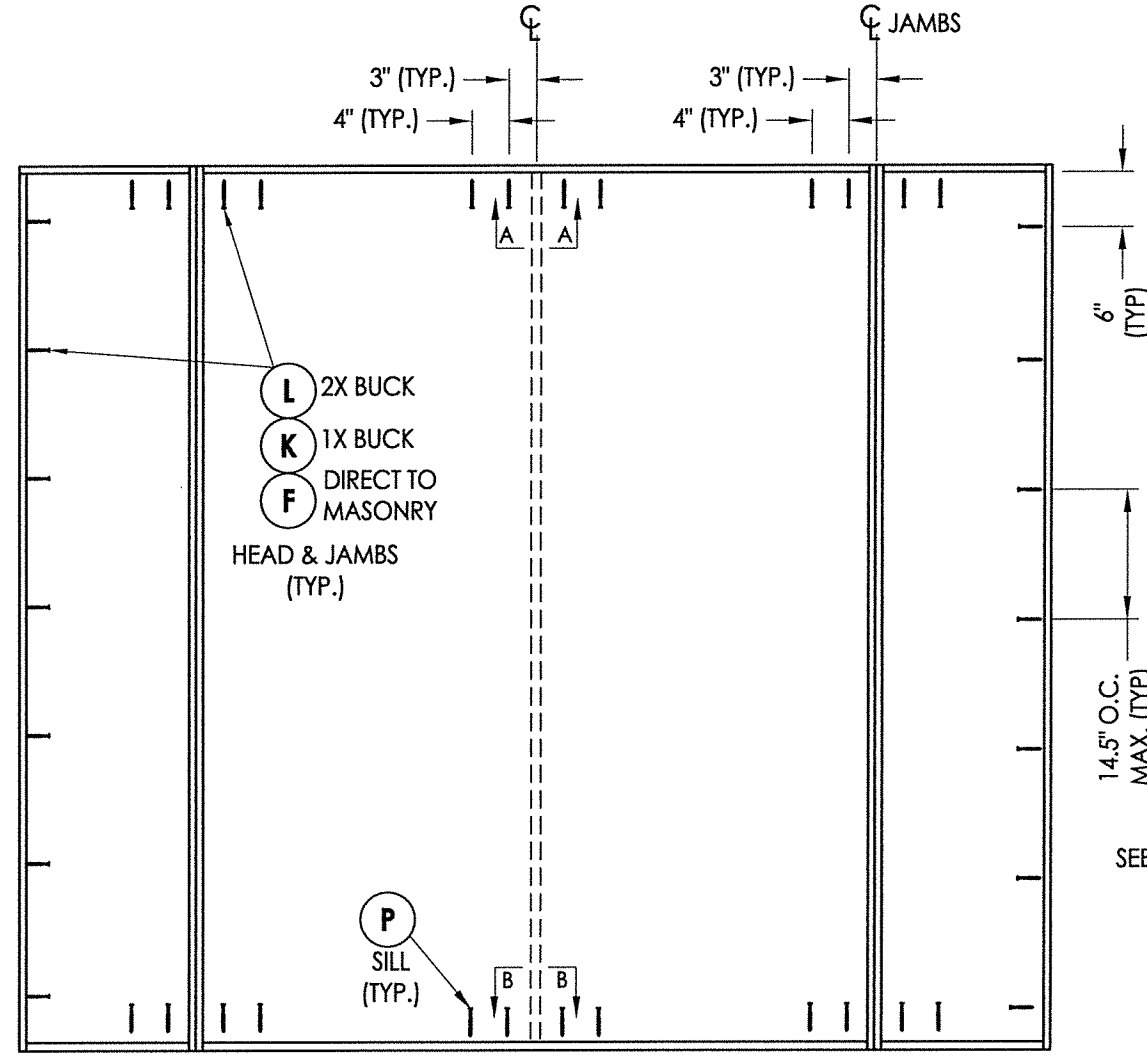

 March 28, 2021
 Documents Prepared By:
 Lyndon F. Schmidt
 P.E. No. 43409

R.W. BUILDING CONSULTANTS, INC.
 P.O. Box 230, Valrico, FL 33595
 Phone No.: 813.659.9197
 FBPE Registry No. 9813

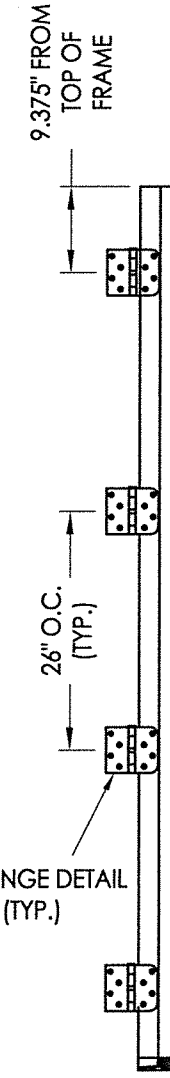
PRODUCT:		TRINITY GLASS INT'L	
PART OR ASSEMBLY:		BUCK ANCHORING	
NO.	DATE	BY	REVISIONS
1	8/11/20	DAC	UPDATE TO 7th ED. (2020) FBC & REVISE ENDURA ULT. ASTRAGAL
DATE: 2/05/20			
SCALE: N.T.S.			
DWG. BY: TRJ			
CHK. BY: LFS			
DRAWING NO.: FL-25575.11			
SHEET 10 OF 13			



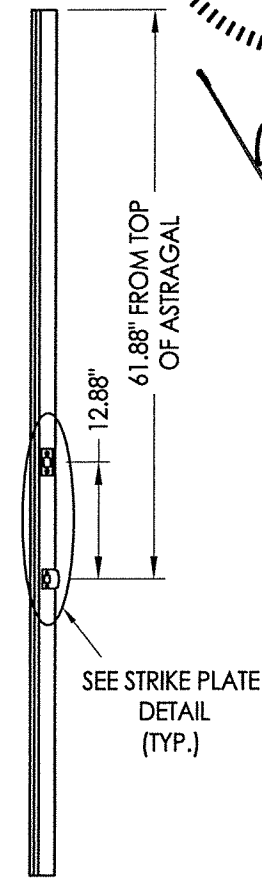
XX



OXXO

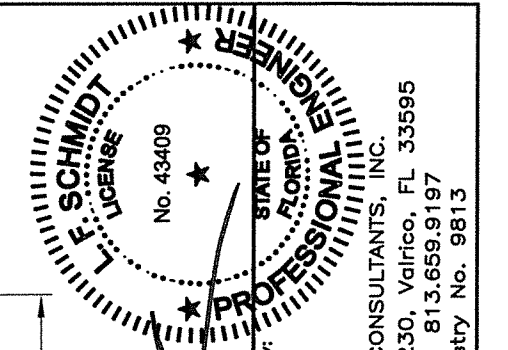
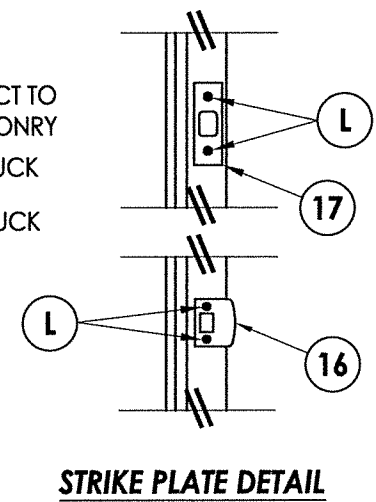
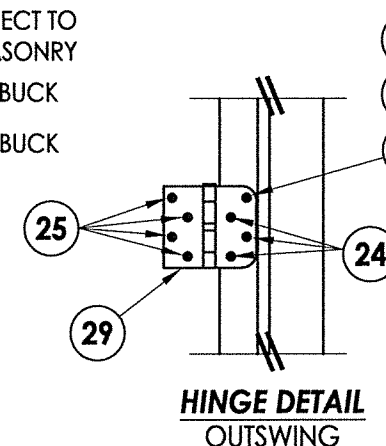
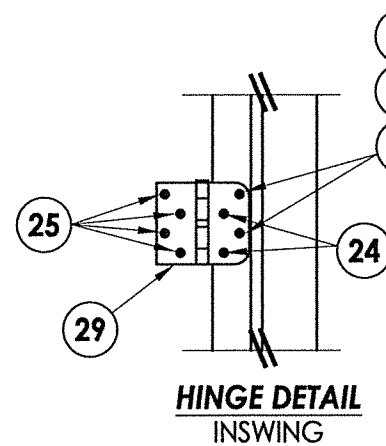
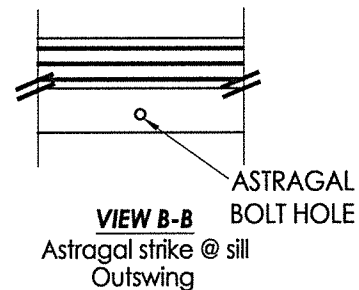
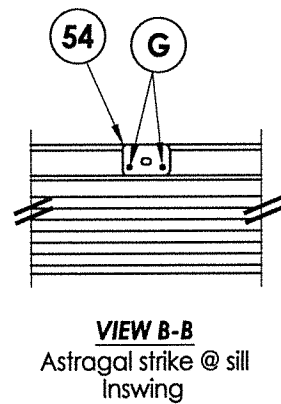
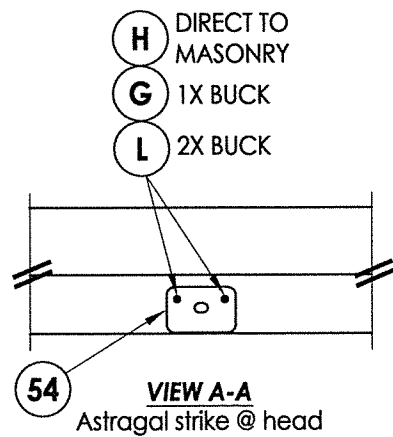


HINGE JAMB



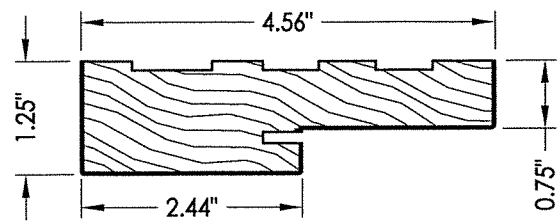
ASTRAGAL

FRAME ANCHORING

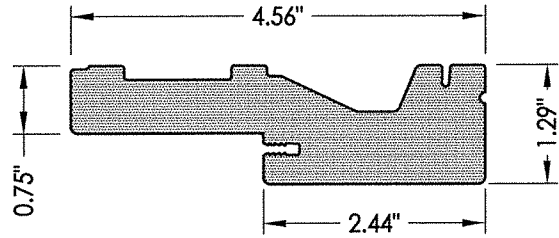


March 28, 2021
 Documents Prepared By:
 Lyndon F. Schmidt
 P.E. No. 43409
 R.W. BUILDING CONSULTANTS, INC.
 P.O. Box 230, Valrico, FL 33595
 Phone No.: 813.659.9197
 FBPE Registry No. 9813

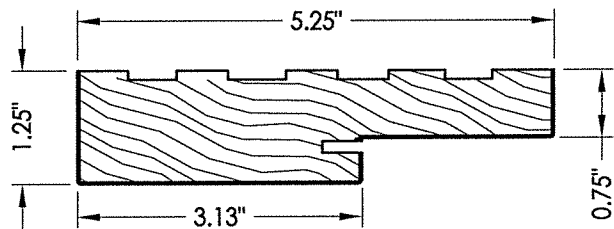
PRODUCT:		TRINITY GLASS INT'L	
PART OR ASSEMBLY:		FRAME ANCHORING	
NO.	DATE	BY	REVISIONS
1	8/11/20	FBC	UPDATE TO 7th ED. (2020)
		DAC	& REVISE ENDURA ULT. ASTRAGAL
DATE: 2/05/20			
SCALE: N.T.S.			
DWG. BY: TRJ			
CHK. BY: LFS			
DRAWING NO.: FL-25575.11			
SHEET 11 OF 13			



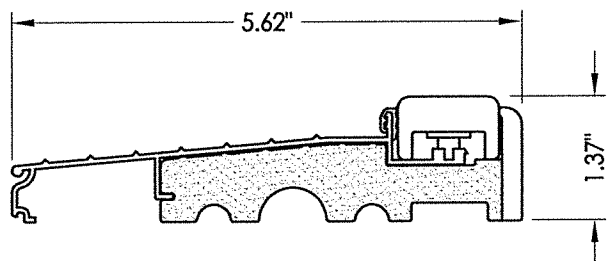
1 FINGER JOINT PINE JAMB



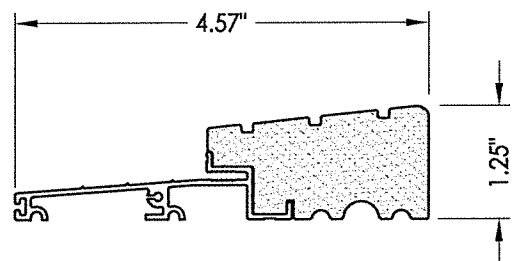
**2 HEAD AND JAMBS
PVC**



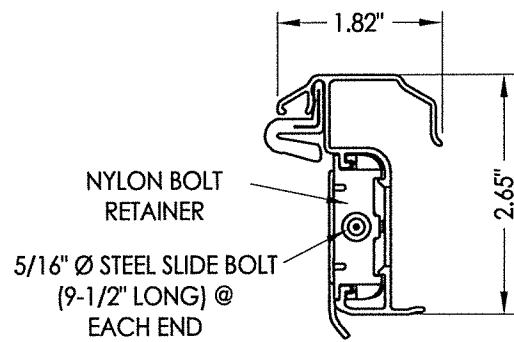
3 FINGER JOINT PINE JAMB



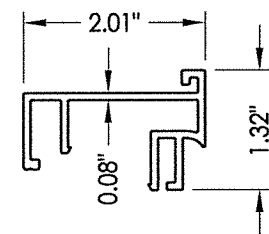
31 INSWING THRESHOLD



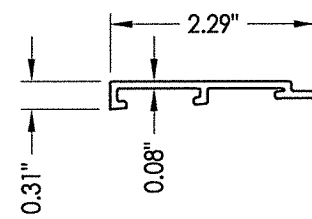
**33 INSWING THRESHOLD
High-dam**



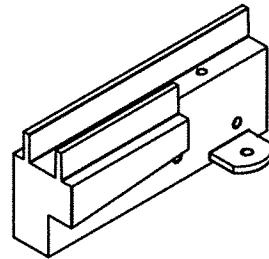
**53 ULTIMATE HURRICANE ASTRAGAL
By Endura Products**



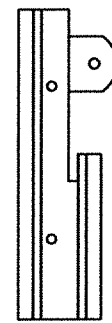
**32 SIDELITE SPACER
Inswing**



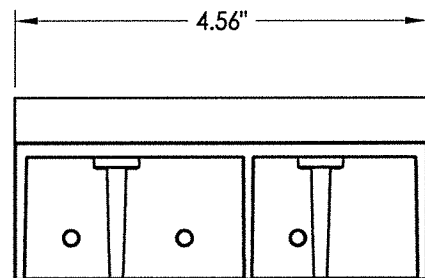
**34 SIDELITE SPACER
Outswing**



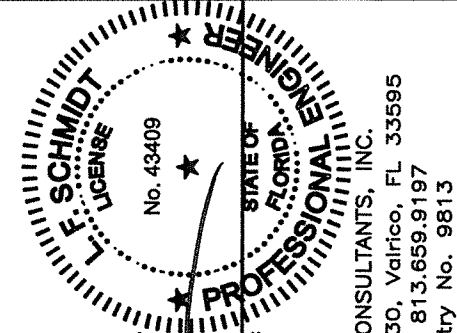
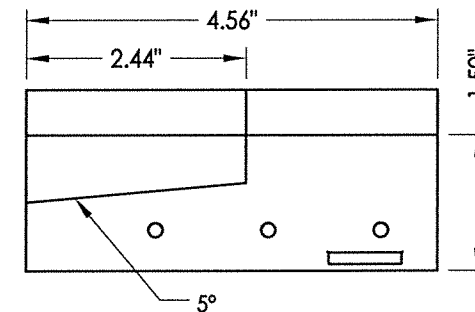
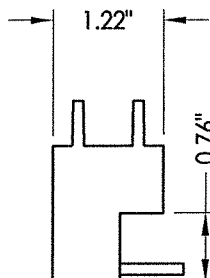
SILLKEY, LEFT
SCALE: NONE



SILLKEY, RIGHT
SCALE: NONE



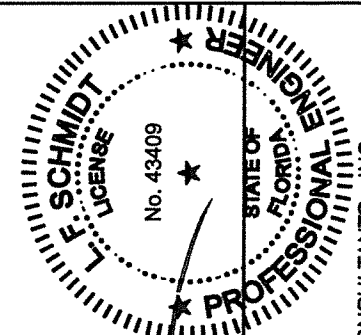
**19 SILLKEY DETAILS
Optional**



March 28, 2021
 Documents Prepared By:
 Lyndon F. Schmidt
 P.E. No. 43409
 R.W. BUILDING CONSULTANTS, INC.
 P.O. Box 230, Vairico, FL 33595
 Phone No.: 813.659.9197
 FBPE Registry No. 9813

PRODUCT: TRINITY GLASS INT'L	
PART OR ASSEMBLY: COMPONENTS	
DATE: 2/05/20	SCALE: N.T.S.
DWG. BY: TRJ	CHK. BY: LFS
DRAWING NO.: FL-25575.11	
SHEET 12 OF 13	

BILL OF MATERIALS		
ITEM #	DESCRIPTION	MATERIAL
A	1X BUCK (SG >= 0.42)	WOOD
B	2X BUCK (SG >= 0.42)	WOOD
C	1/4" MAX. SHIM SPACE	-
D	1/4" X 2-3/4" PFH DeWALT OR ITW CONCRETE SCREW	STEEL
E	MASONRY - 3,000 PSI MIN. CONCRETE CONFORMING TO ACI 301 OR HOLLOW BLOCK CONFORMING TO ASTM C90	CONCRETE
F	1/4" X 3-3/4" PFH ITW CONCRETE SCREW	STEEL
G	3/16" X 3-1/4" PFH ITW CONCRETE SCREW	STEEL
H	3/16" X 2-1/4" PFH ITW CONCRETE SCREW	STEEL
K	1/4" X 2-3/4" PFH DeWALT CONCRETE SCREW	STEEL
L	#10 X 2-1/2" PFH WS (1.15" MIN. EMBEDMENT)	STEEL
P	1/4" X 2-3/4" PFH DeWALT OR ITW CONCRETE SCREW	STEEL
1	HEAD & JAMB (FINGER-JOINT PINE - SG >= 0.42)	WOOD
2	HEAD & JAMB	PVC
3	HEAD & JAMB (5.25") (FINGER-JOINT PINE - SG >= 0.42)	WOOD
7	WEATHERSTRIP	FOAM
8	DOOR BOTTOM SWEEP	PVC
9	#6 X 1-1/4 PFH DRYWALL SCREW	STEEL
11	#9 X 2-1/4" PFH WOOD SCREW	STEEL
16	LATCH STRIKE PLATE	STEEL
17	DEADBOLT STRIKE PLATE	STEEL
19	SILLKEY	PC/ASA
24	#9 X 3/4" PFH WS	STEEL
25	#9 X 1" PFH WS	STEEL
26	#8 X 2" PFH WS	STEEL
27	#8 X 2-1/2" PFH WOOD SCREW	STEEL
28	#10 X 3" PFH WOOD SCREW	STEEL
29	4" X 4" HINGE	STEEL
31	INSWING THRESHOLD ALUMINUM w/ COMPOSITE SUBSTRATE	ALUM./ COMP.
32	SIDELITE SPACER - INSWING	PVC
33	OUTSWING HIGH-DAM THRESHOLD ALUMINUM w/ COMPOSITE SUBSTRATE	ALUM./ COMP.
34	SIDELITE SPACER - OUTSWING	PVC
40	DOOR PANEL - (LIGHTHOUSE)	-
50	SIDELITE PANEL	-
53	ALUMINUM ASTRAGAL	ALUM
54	ASTRAGAL STRIKE PLATE	STEEL



March 28, 2021
 Documents Prepared By:
 Lyndon F. Schmidt
 P.E. No. 43409
 R.W. BUILDING CONSULTANTS, INC.
 P.O. Box 230, Vairico, FL 33595
 Phone No.: 813.659.9197
 FBPE Registry No. 9813

PRODUCT: TRINITY GLASS INT'L
 PART OR ASSEMBLY: BILL OF MATERIALS

NO.	DATE	DESCRIPTION
1	8/11/20	UPDATE TO 7th ED. (2020) FBC & REVISE ENDURA ULT. ASTRAGAL

DATE: 2/05/20
 SCALE: N.T.S.
 DWG. BY: TRJ
 CHK. BY: LFS
 DRAWING NO.: FL-25575.11
 SHEET 13 OF 13

CONCRETE ANCHOR NOTES:

- Concrete anchor locations at the corners may be adjusted to maintain the min. edge distance to mortar joints.
- Concrete anchor locations noted as "MAX. ON CENTER" must be adjusted to maintain the min. edge distance to mortar joints, additional concrete anchors may be required to ensure the "MAX. ON CENTER" dimension are not exceeded.
- Concrete anchor table:

ANCHOR TYPE	ANCHOR SIZE	MIN. EMBEDMENT	MIN. CLEARANCE TO MASONRY EDGE	MIN. CLEARANCE TO ADJACENT ANCHOR
ITW BUILDEX TAPCON®	3/16"	1-1/4"	AS SHOWN	1-1/2"
	1/4"	1-1/4"	2"	4"
DeWALT ULTRACON®	1/4"	1-1/4"	1"	4"

WOOD SCREW INSTALLATION NOTES:

- Maintain a minimum 5/8" edge distance, 1" end distance, & 1" o.c. spacing of wood screws to prevent the splitting of wood.